

## 2 Port Cavities Tooling

T8A .....	02
T10A .....	03
T13A .....	04
T3A .....	05
T5A .....	06
T16A .....	07
T18A .....	08

## 3 Port Cavities Tooling

T163A .....	09
T11A .....	10
T2A .....	11
T17A .....	12
T19A .....	13

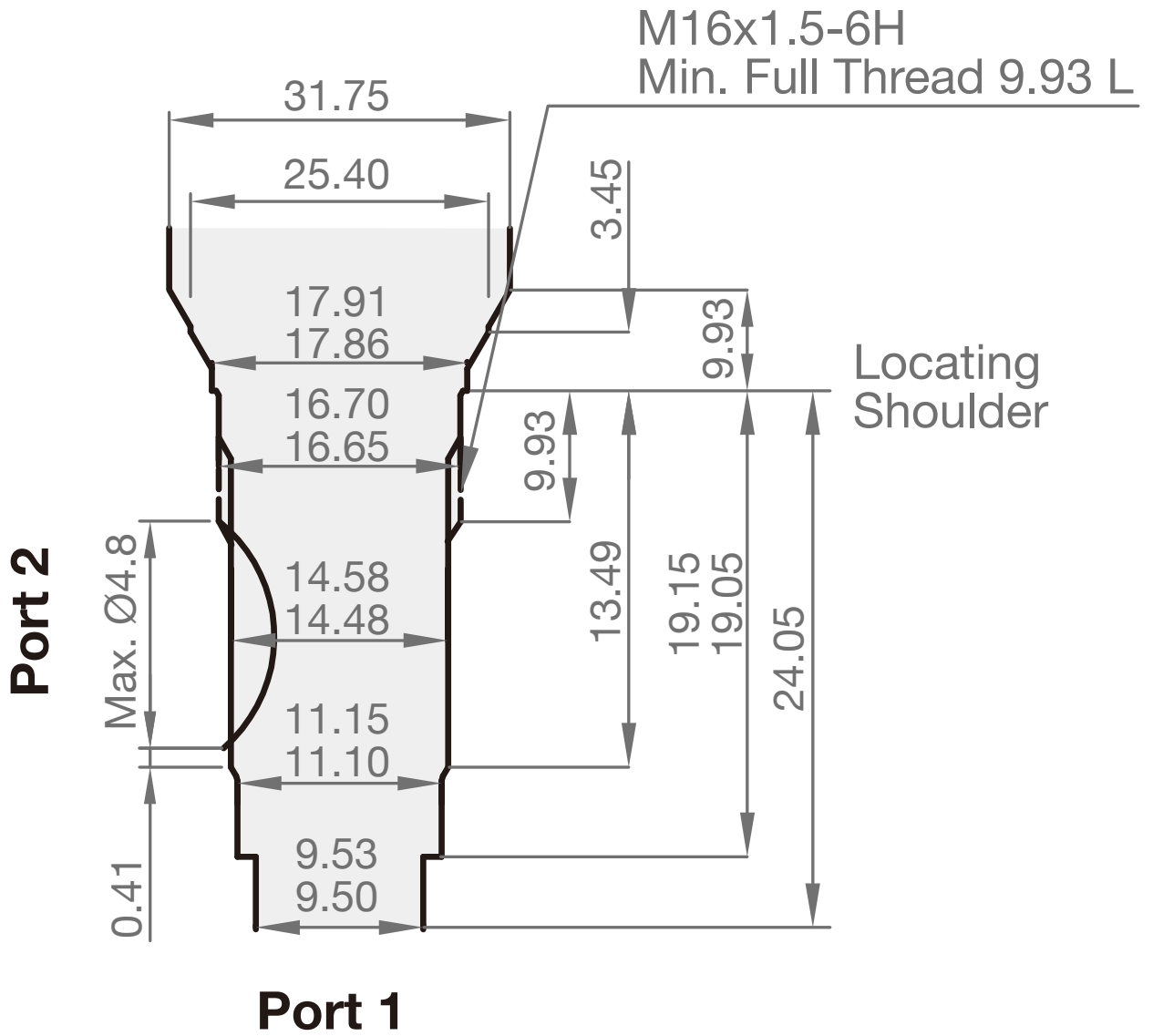
## 4 Port Cavities Tooling

T21A .....	14
T22A .....	15
T31A .....	16
T32A .....	17
T33A .....	18
T34A .....	19

## Cavities Tooling for SAE Cavity Cartridge Valve

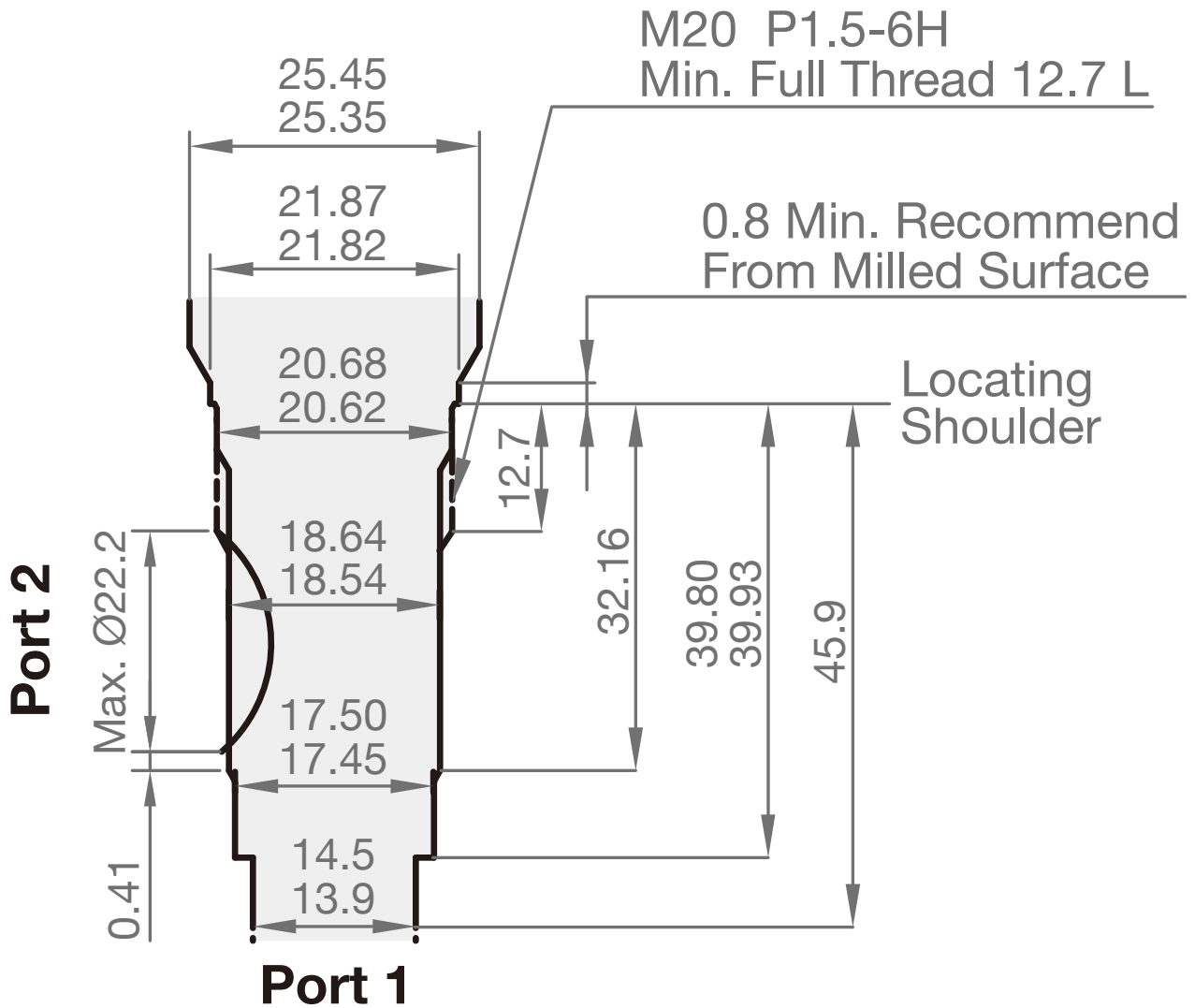
T082 .....	20
T083 .....	21
T092 .....	22
T102 .....	23
T103 .....	24
T104 .....	25
T122 .....	26
T123 .....	27
T124 .....	28
T162 .....	29
T163 .....	30
T164 .....	31

# T8A



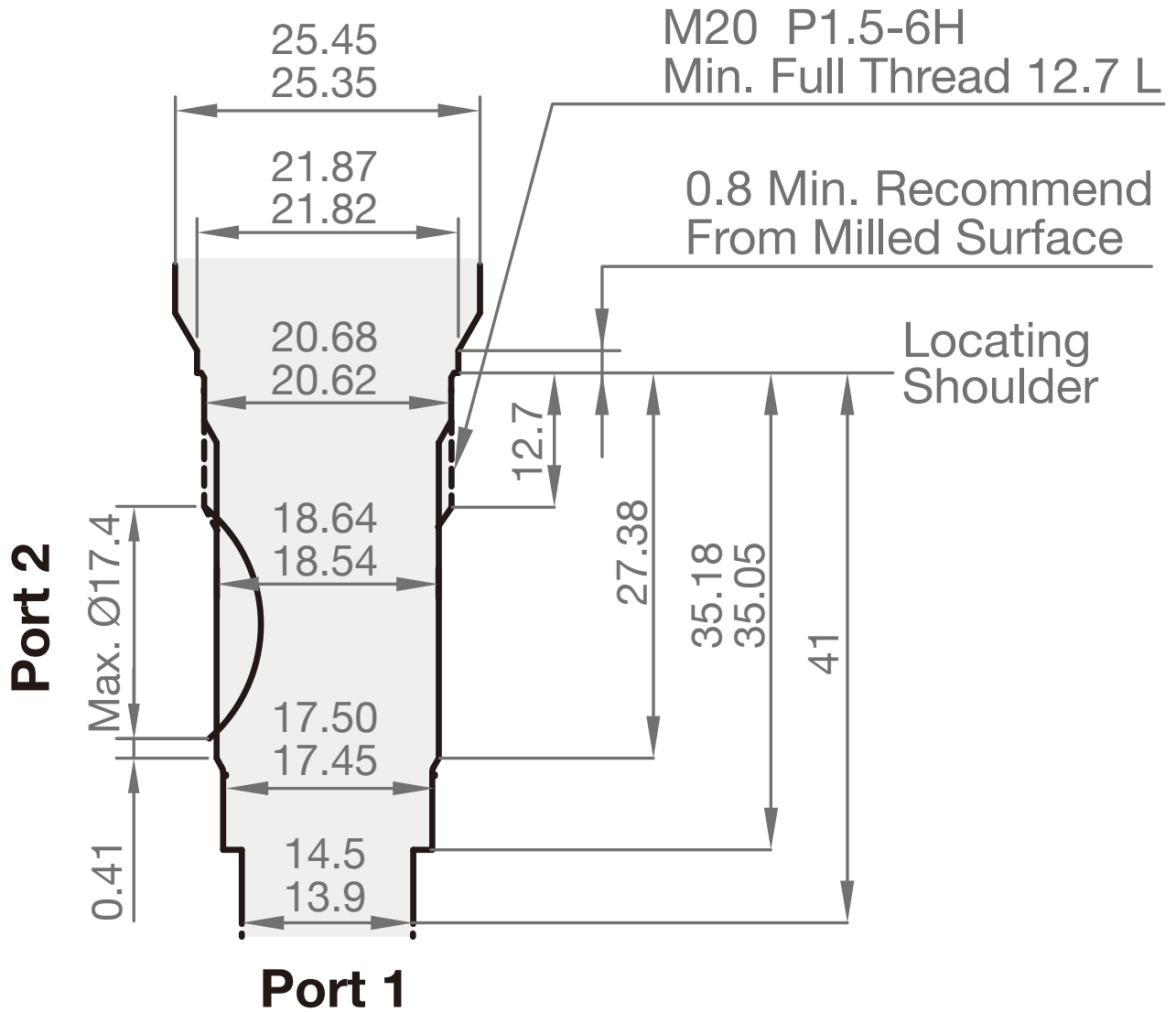
( unit : mm )

# T10A



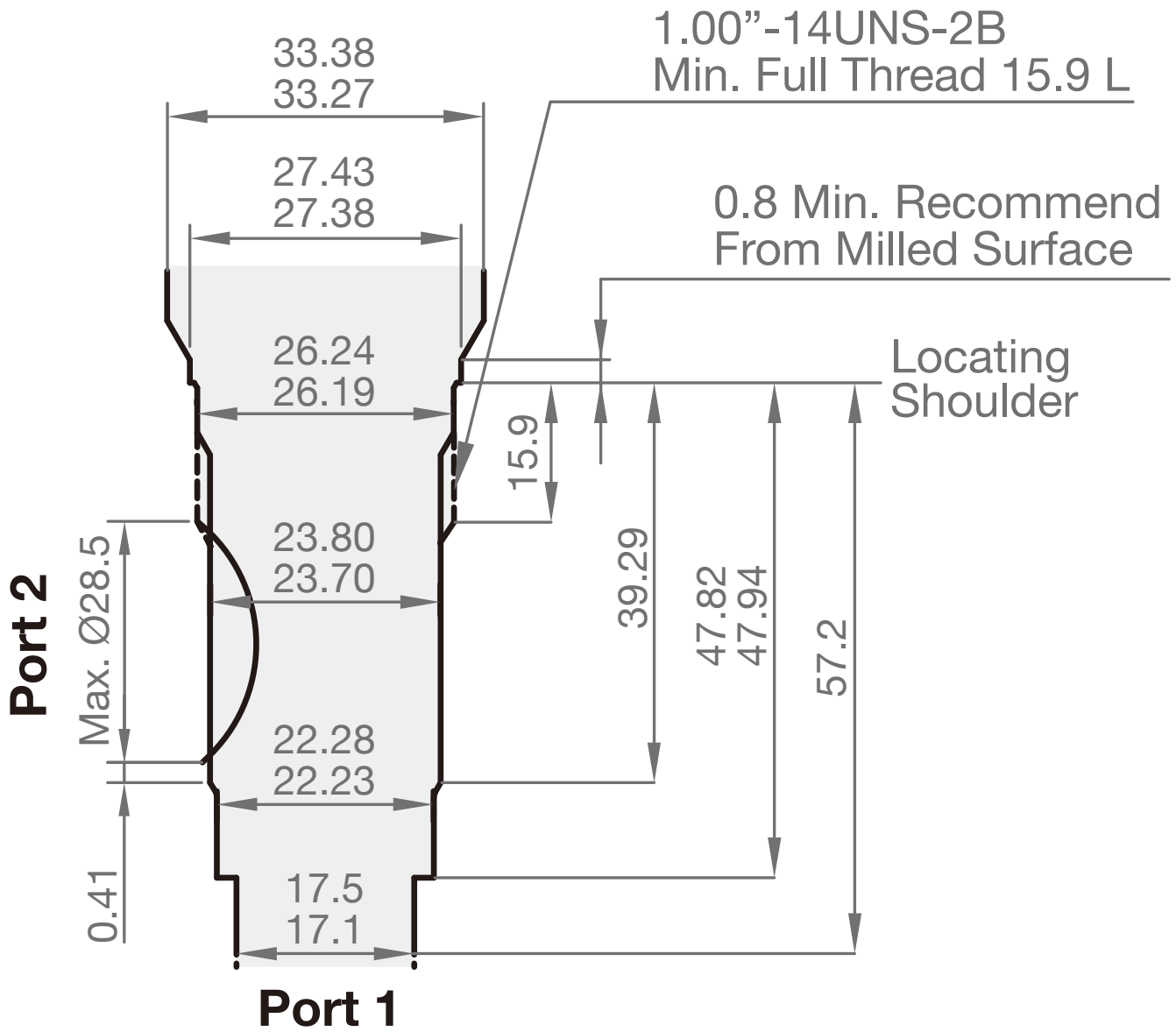
( unit : mm )

# T13A



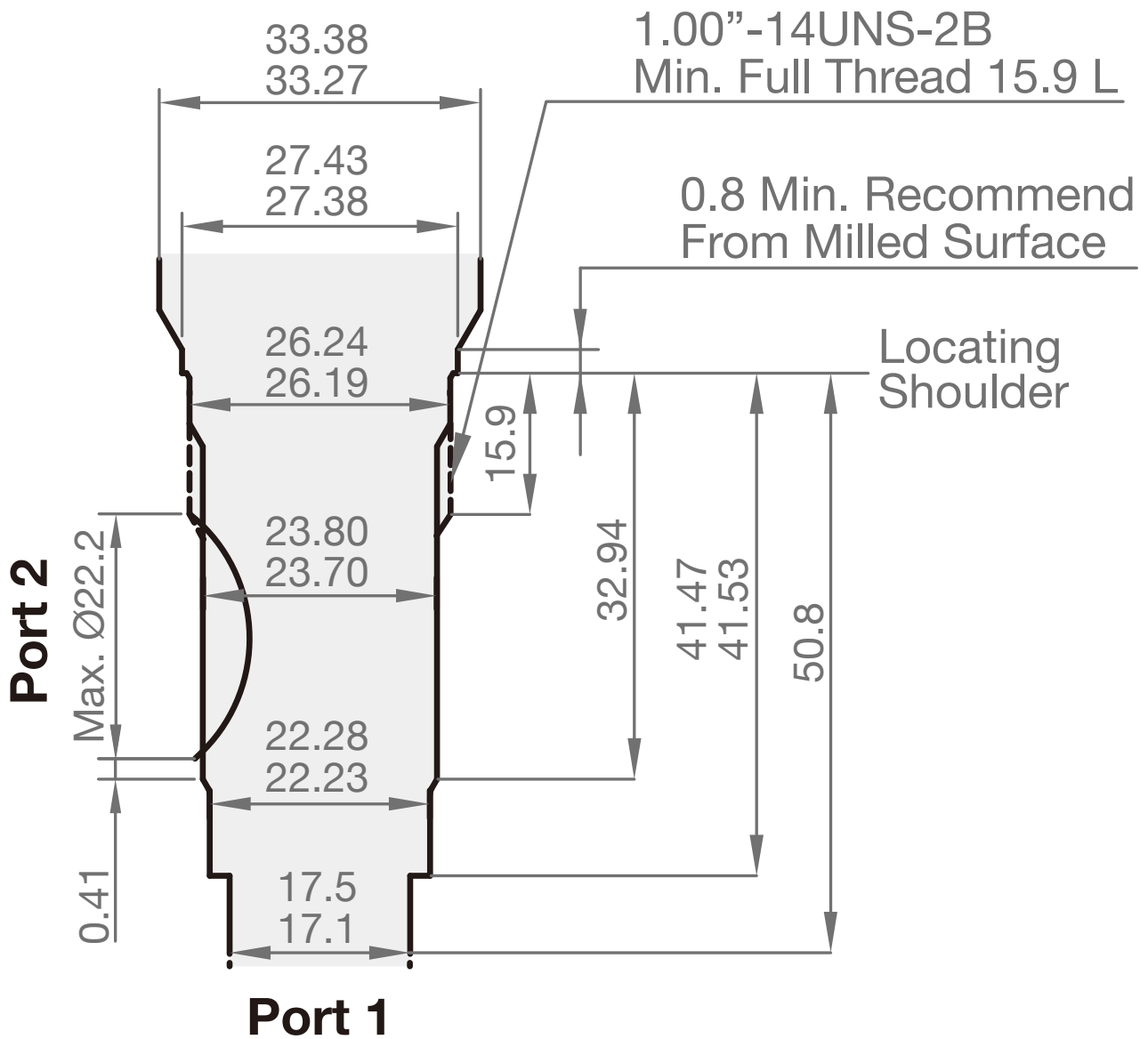
( unit : mm )

# T3A



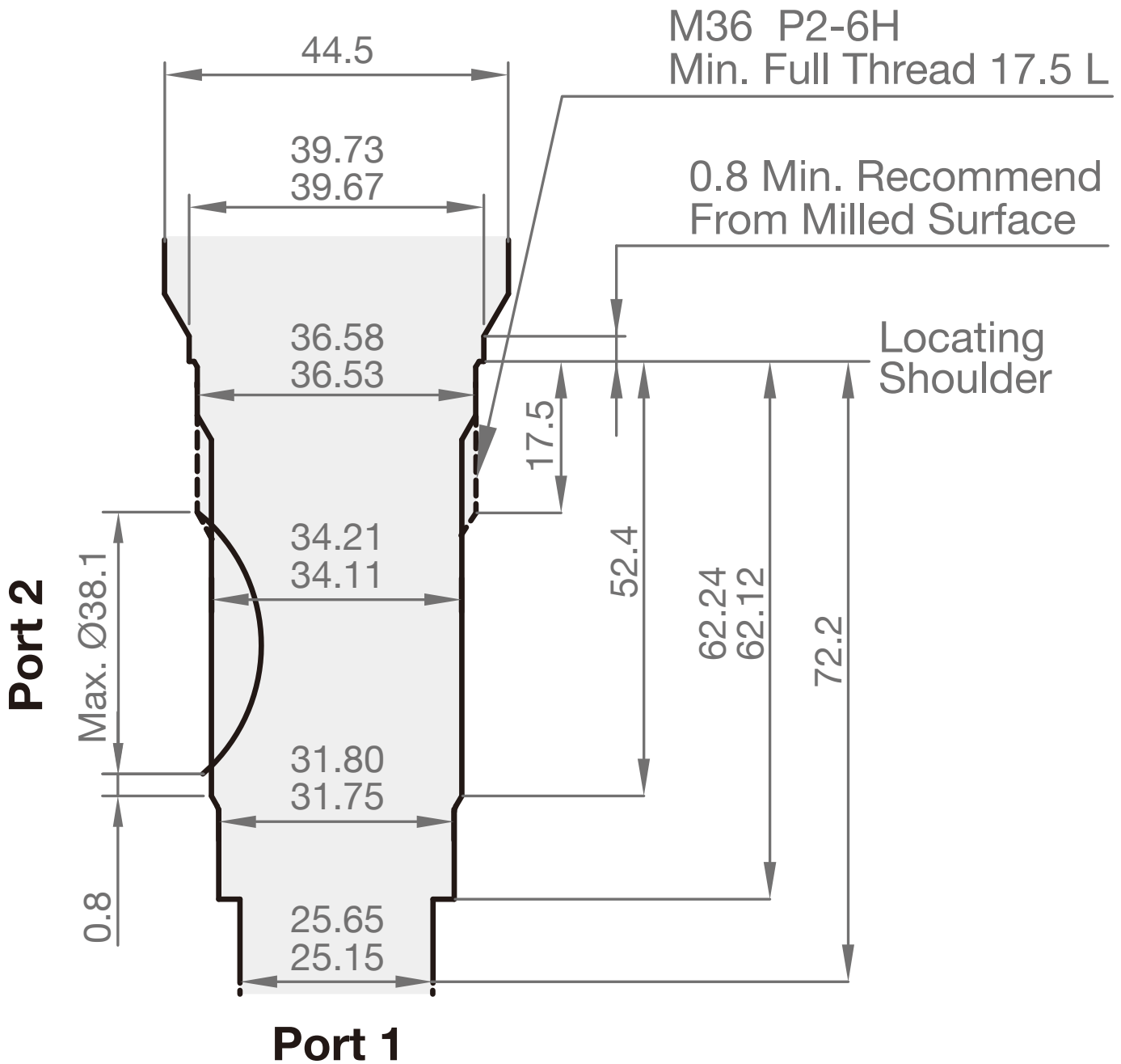
( unit : mm )

# T5A



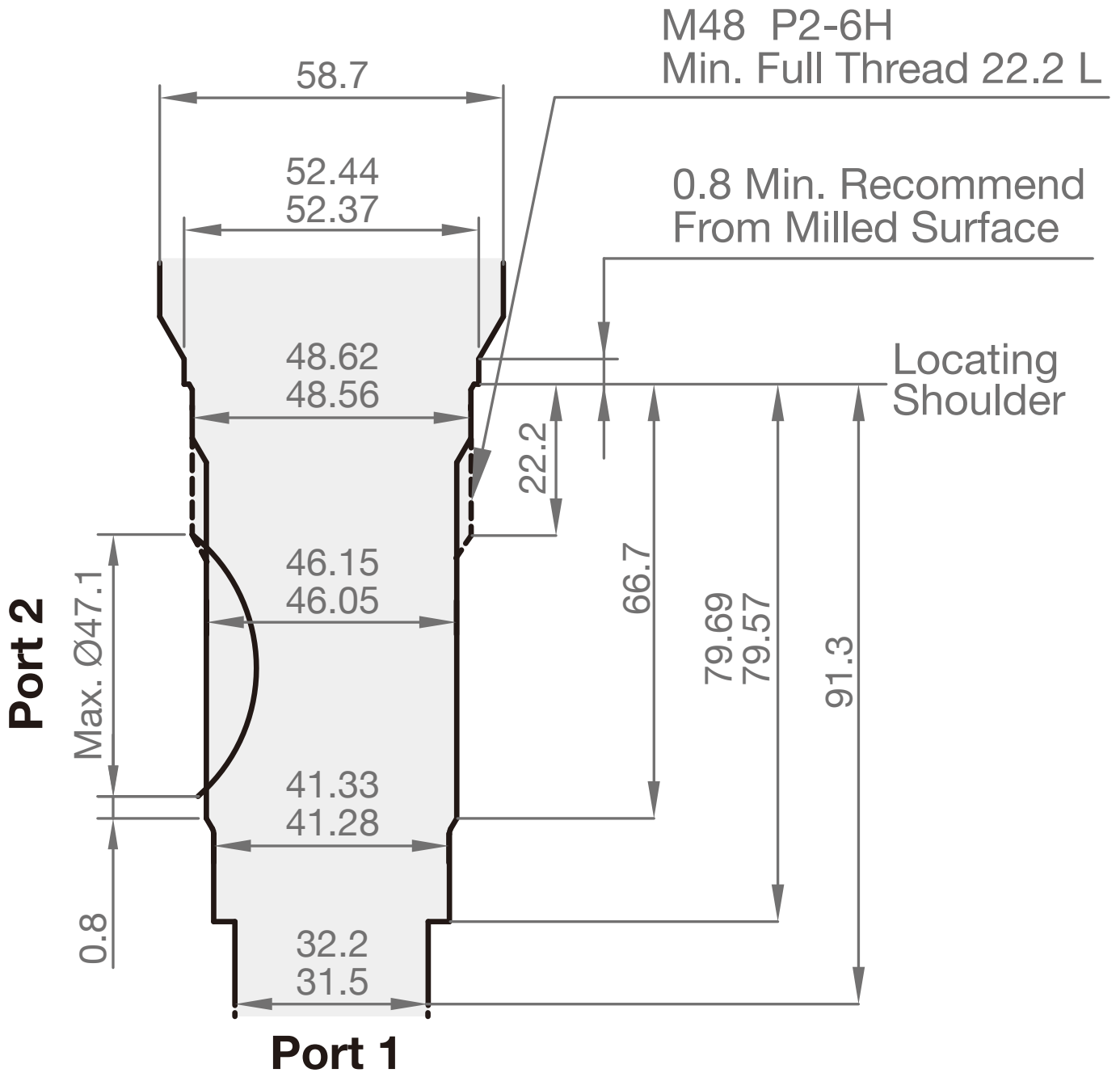
( unit : mm )

# T16A



( unit : mm )

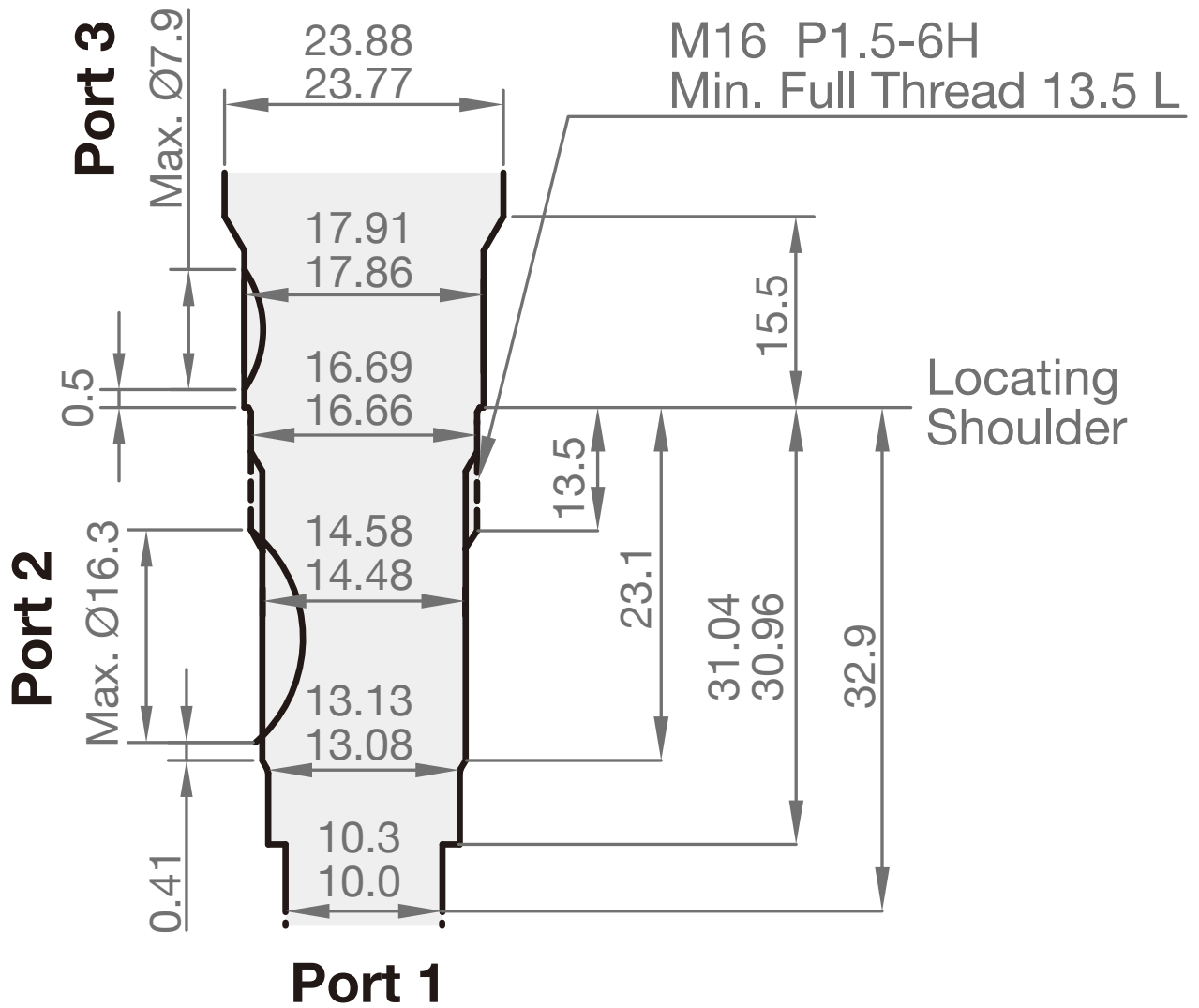
# T18A



( unit : mm )

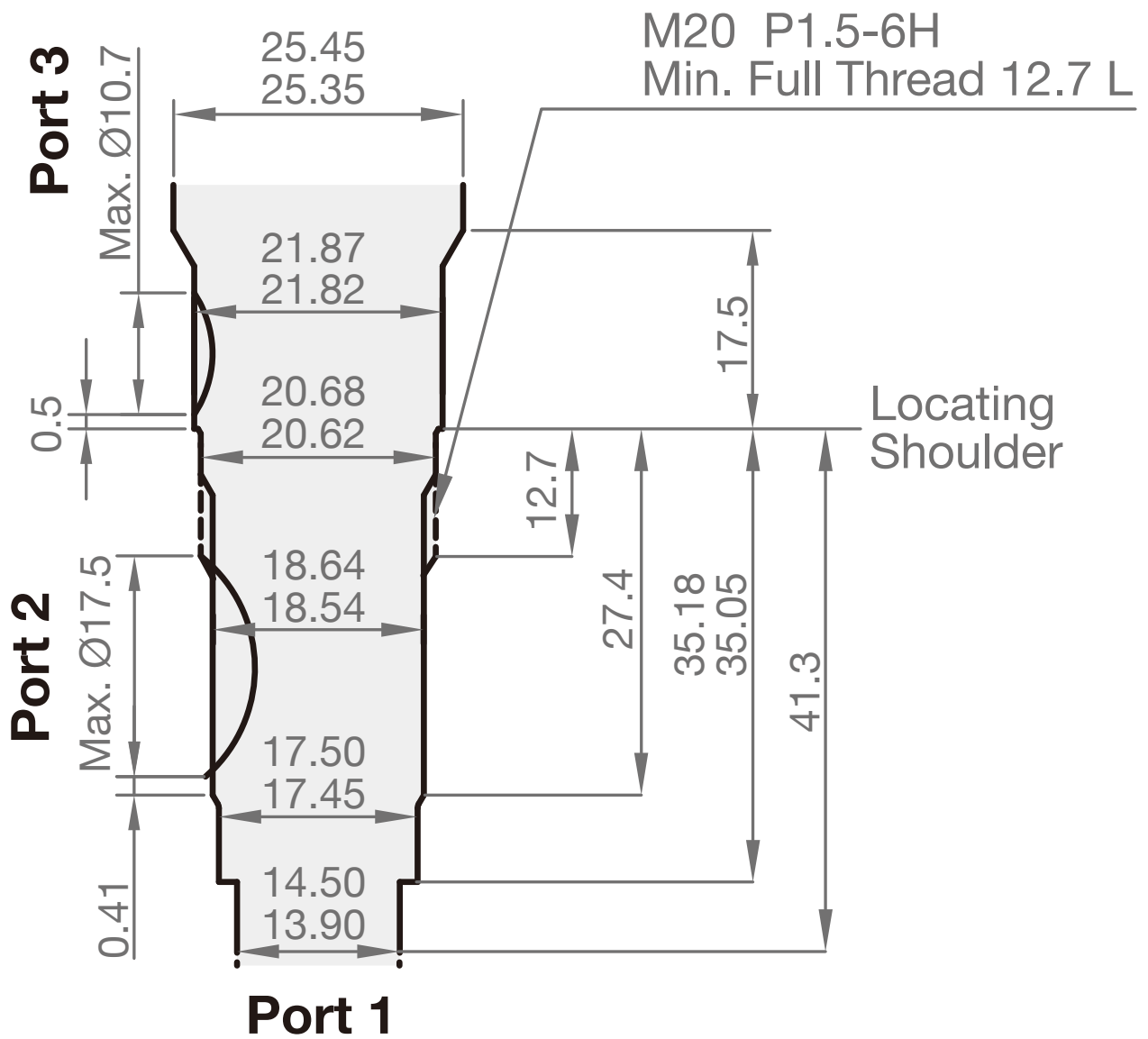


# T163A



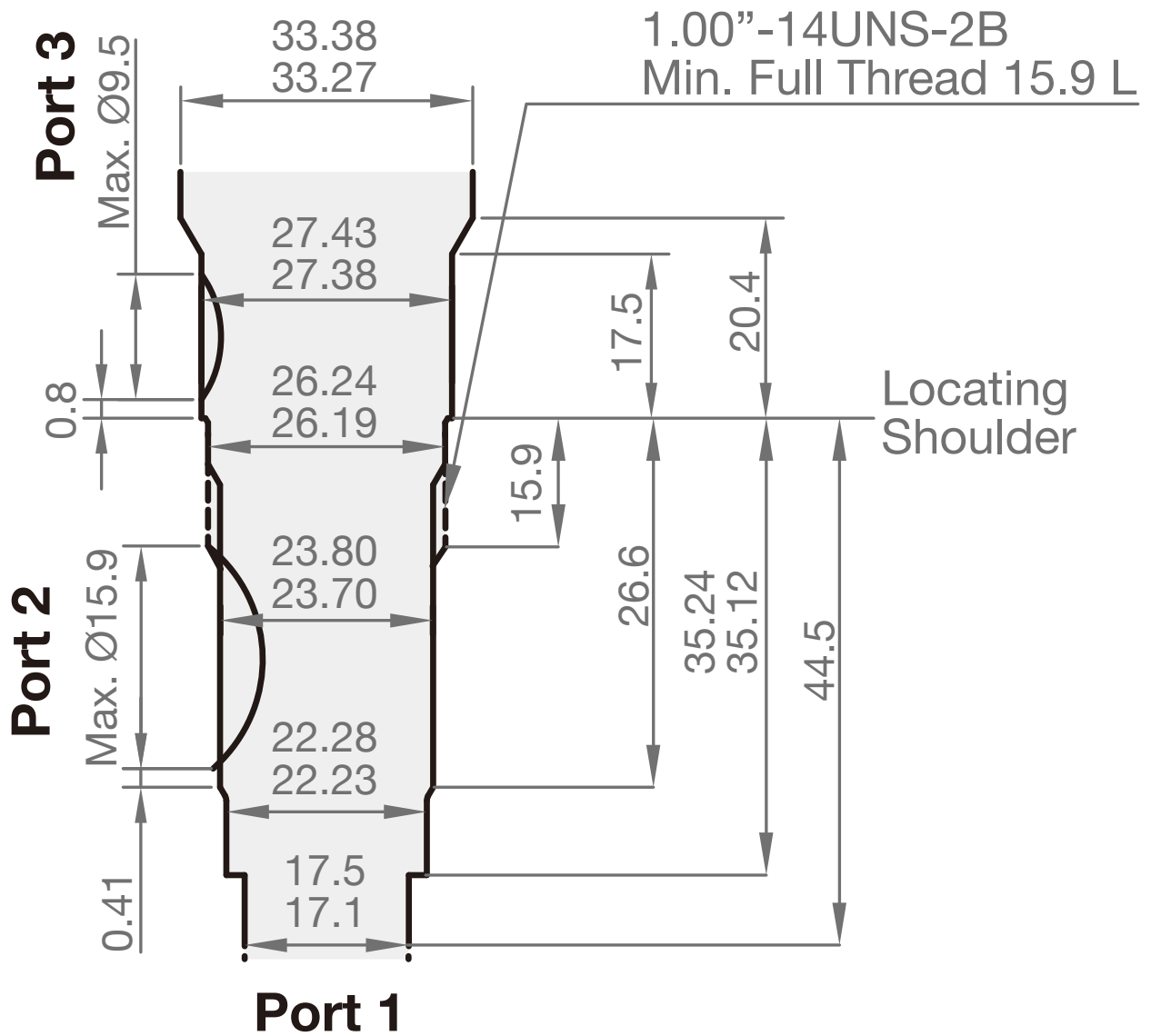
( unit : mm )

# T11A



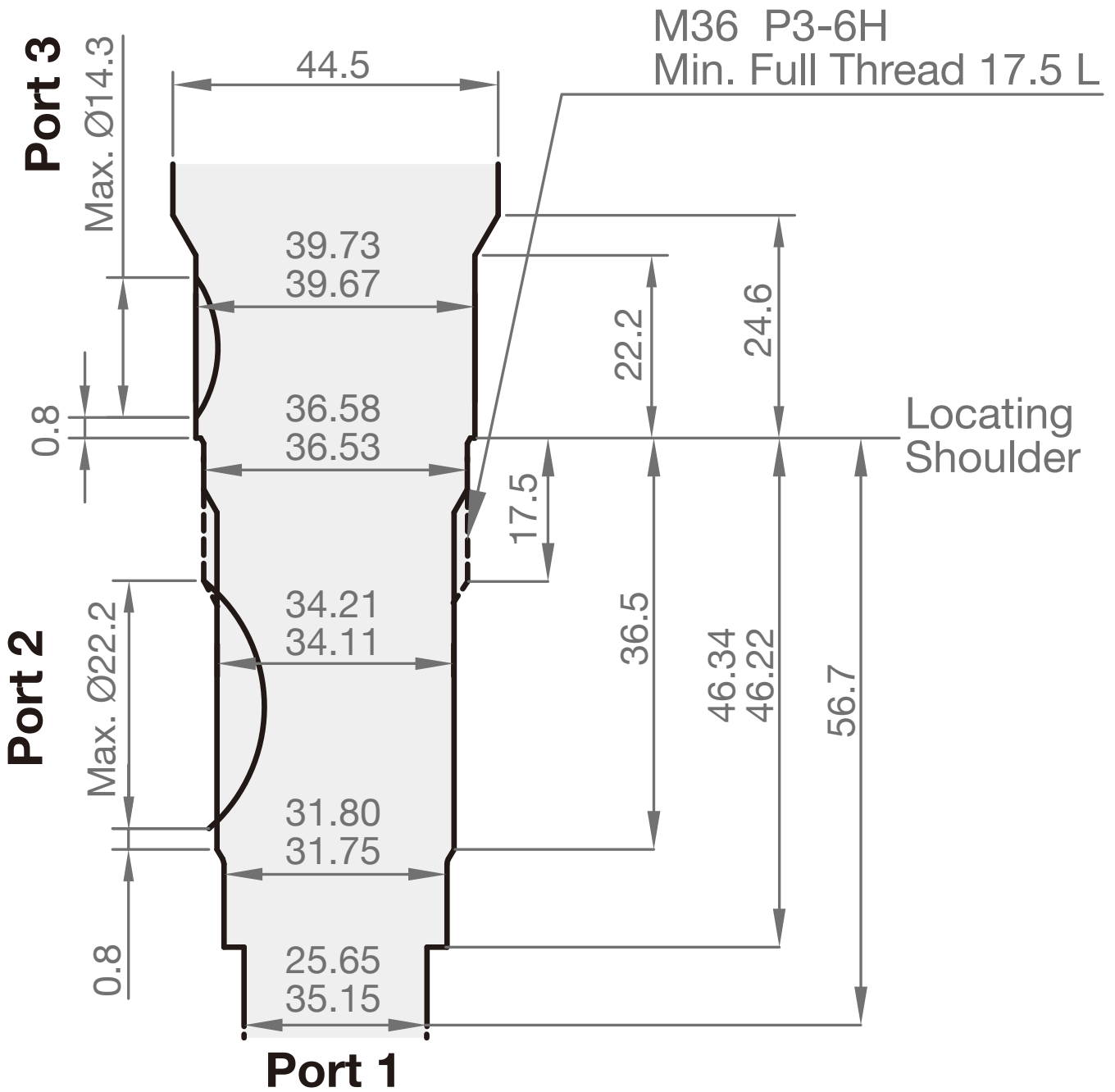
( unit : mm )

# T2A



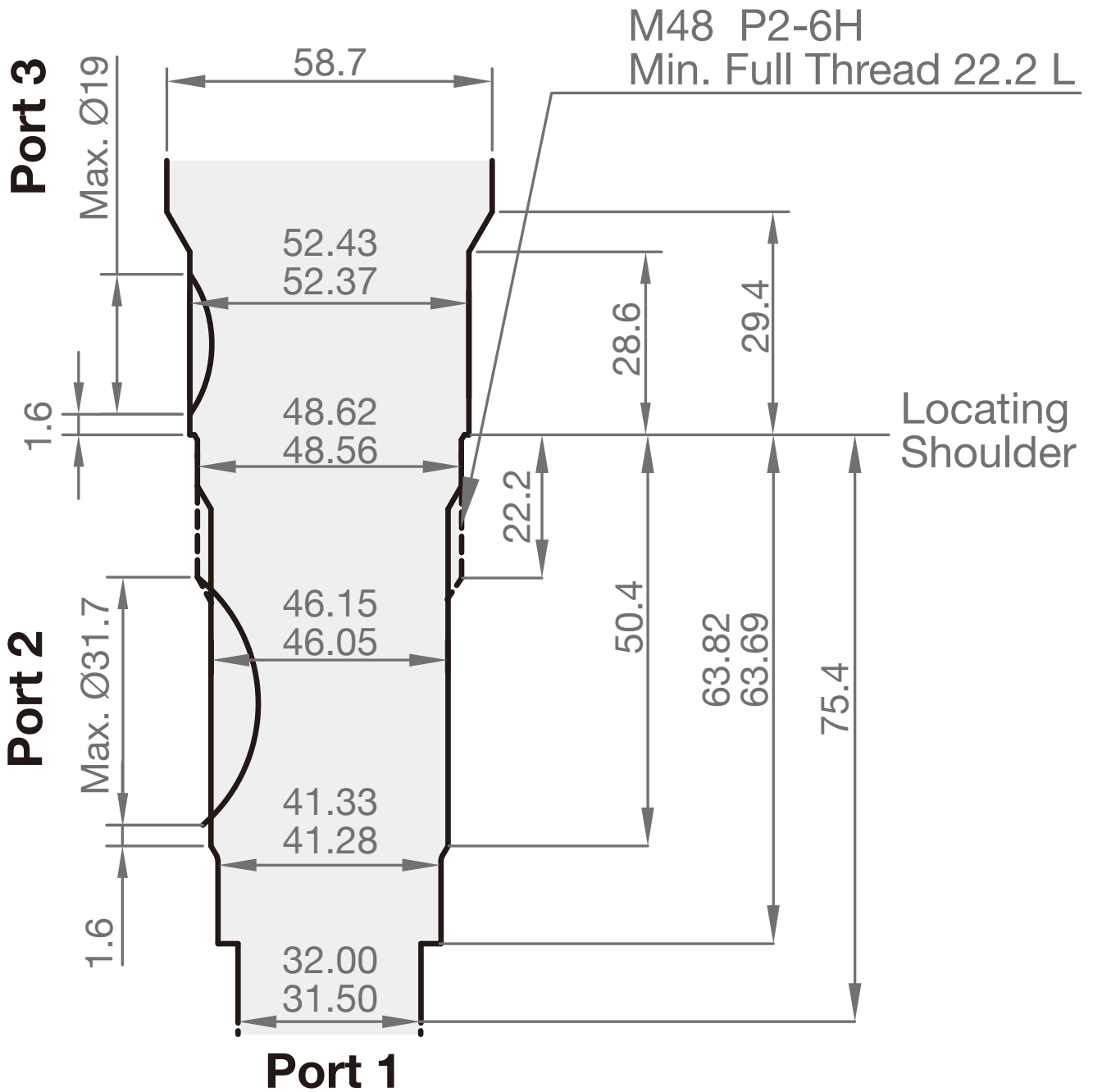
( unit : mm )

# T17A



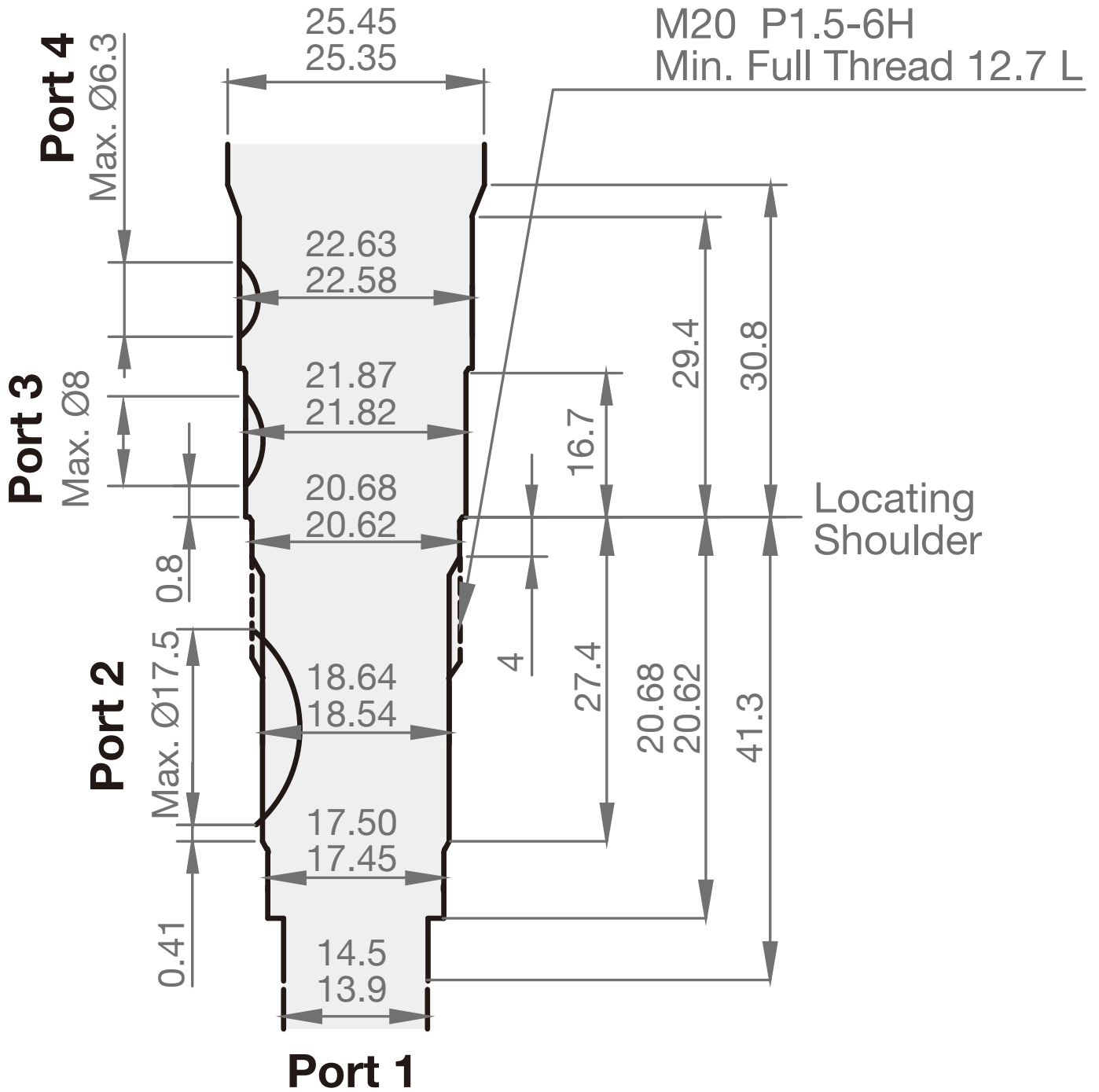
( unit : mm )

# T19A



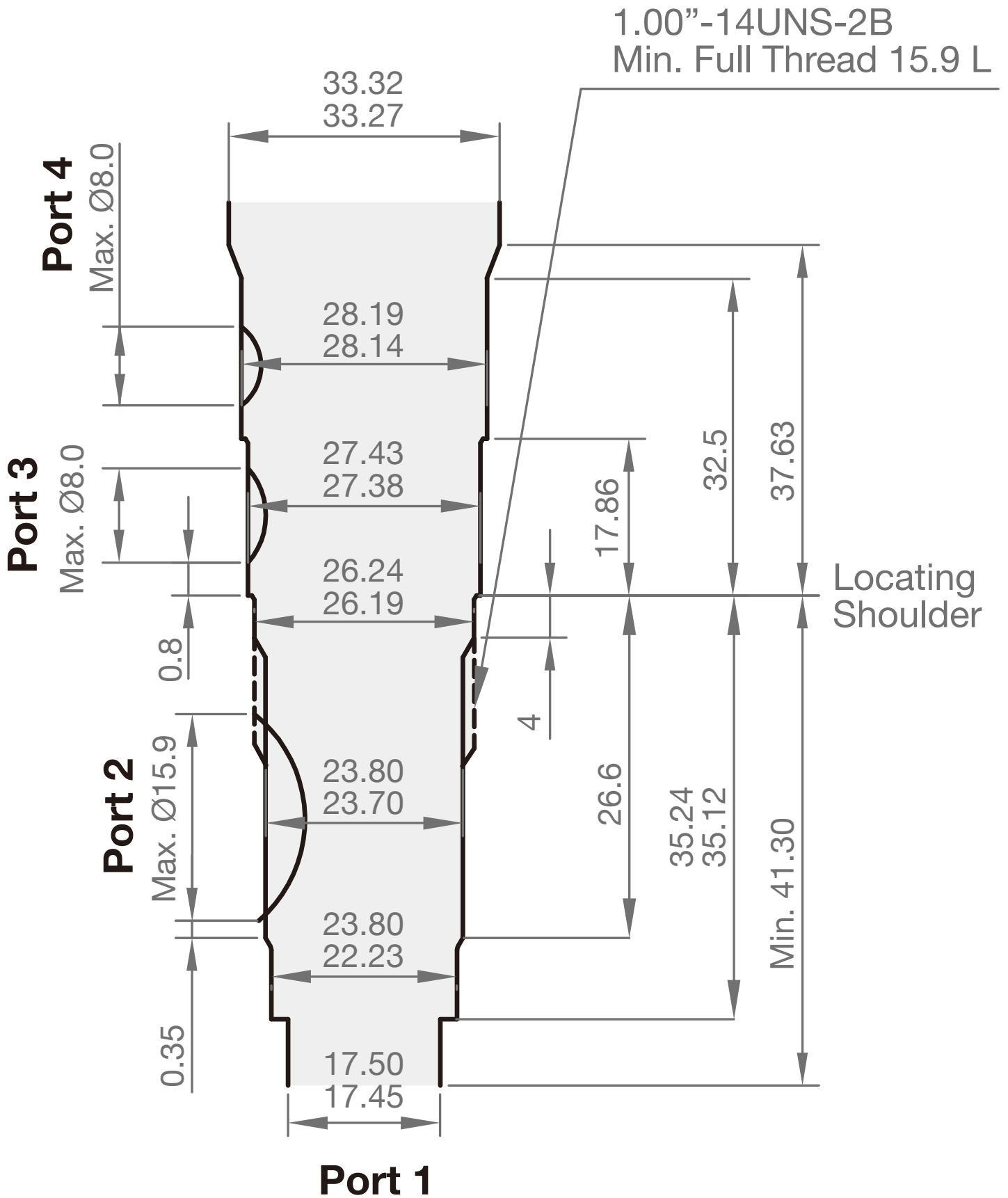
( unit : mm )

# T21A



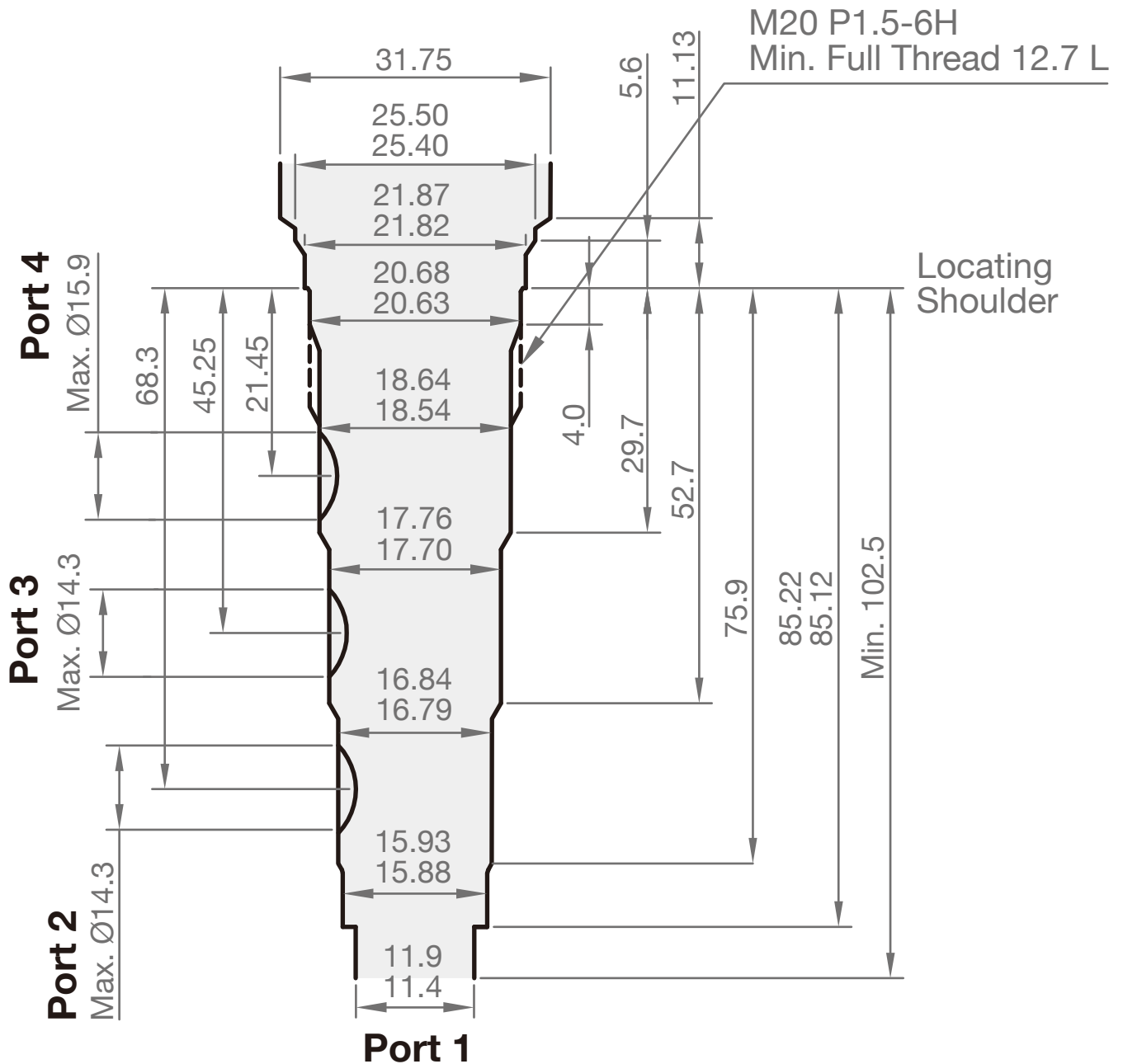
( unit : mm )

# T22A



( unit : mm )

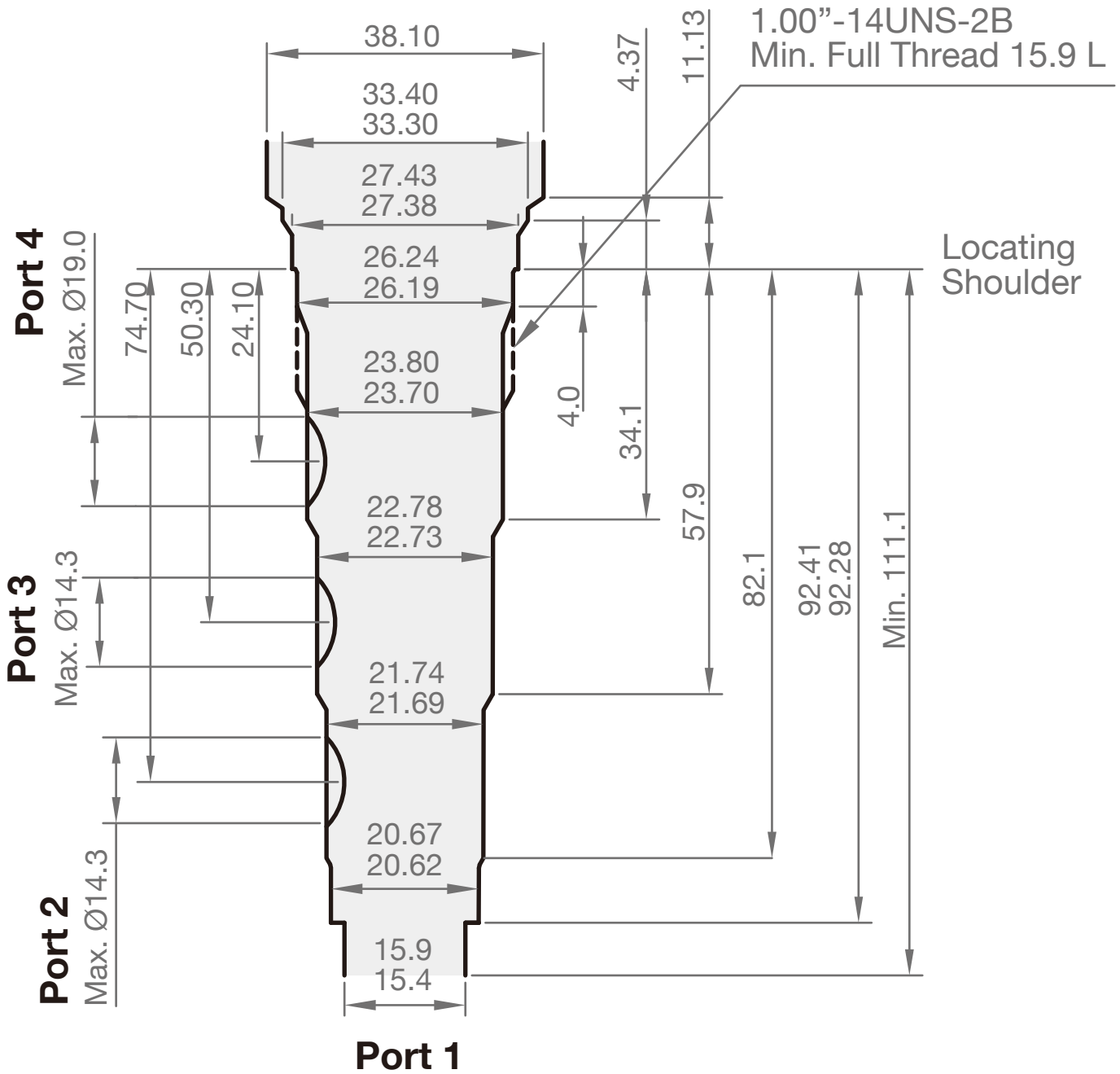
# T31A



( unit : mm )

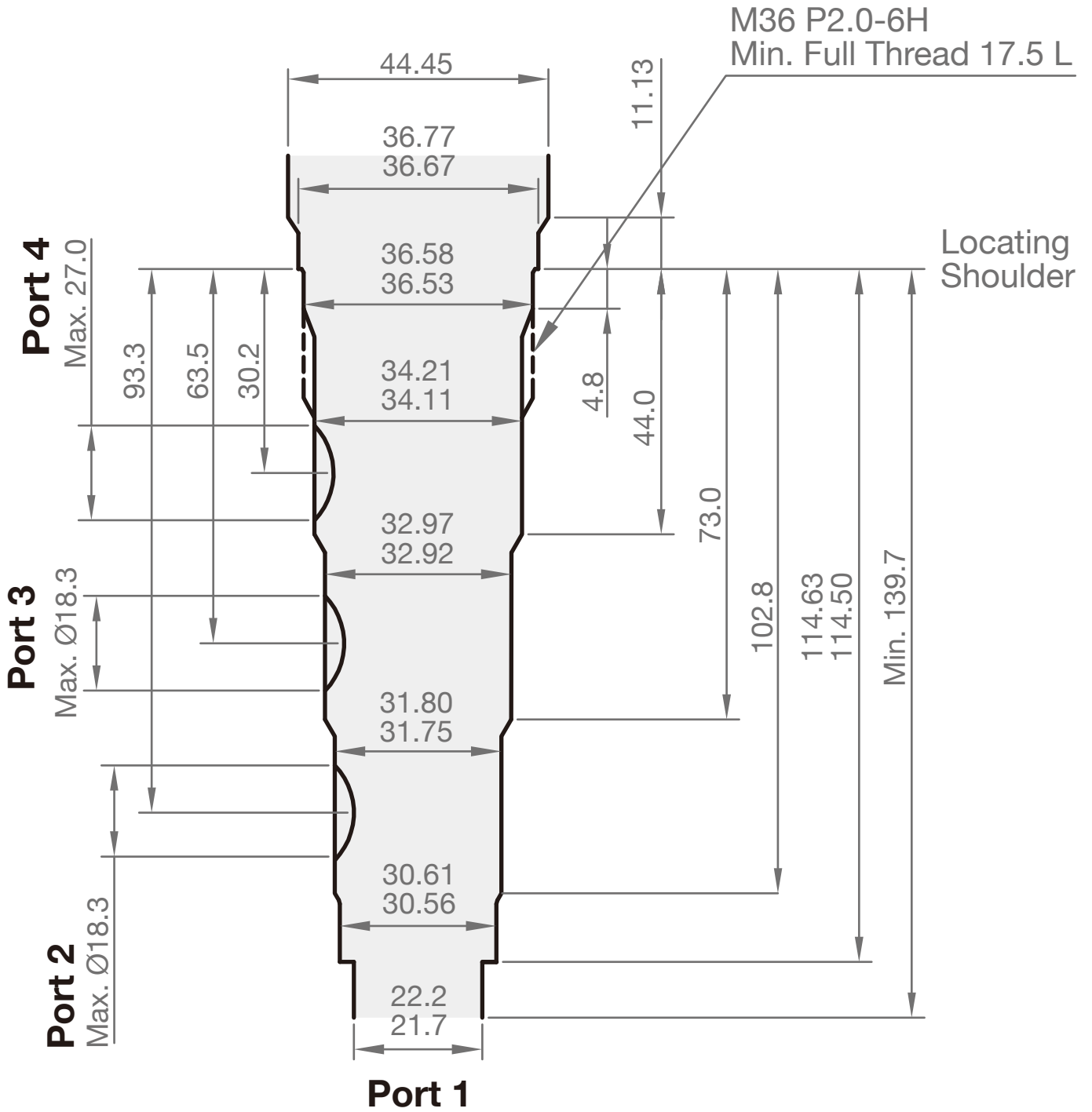


# T32A



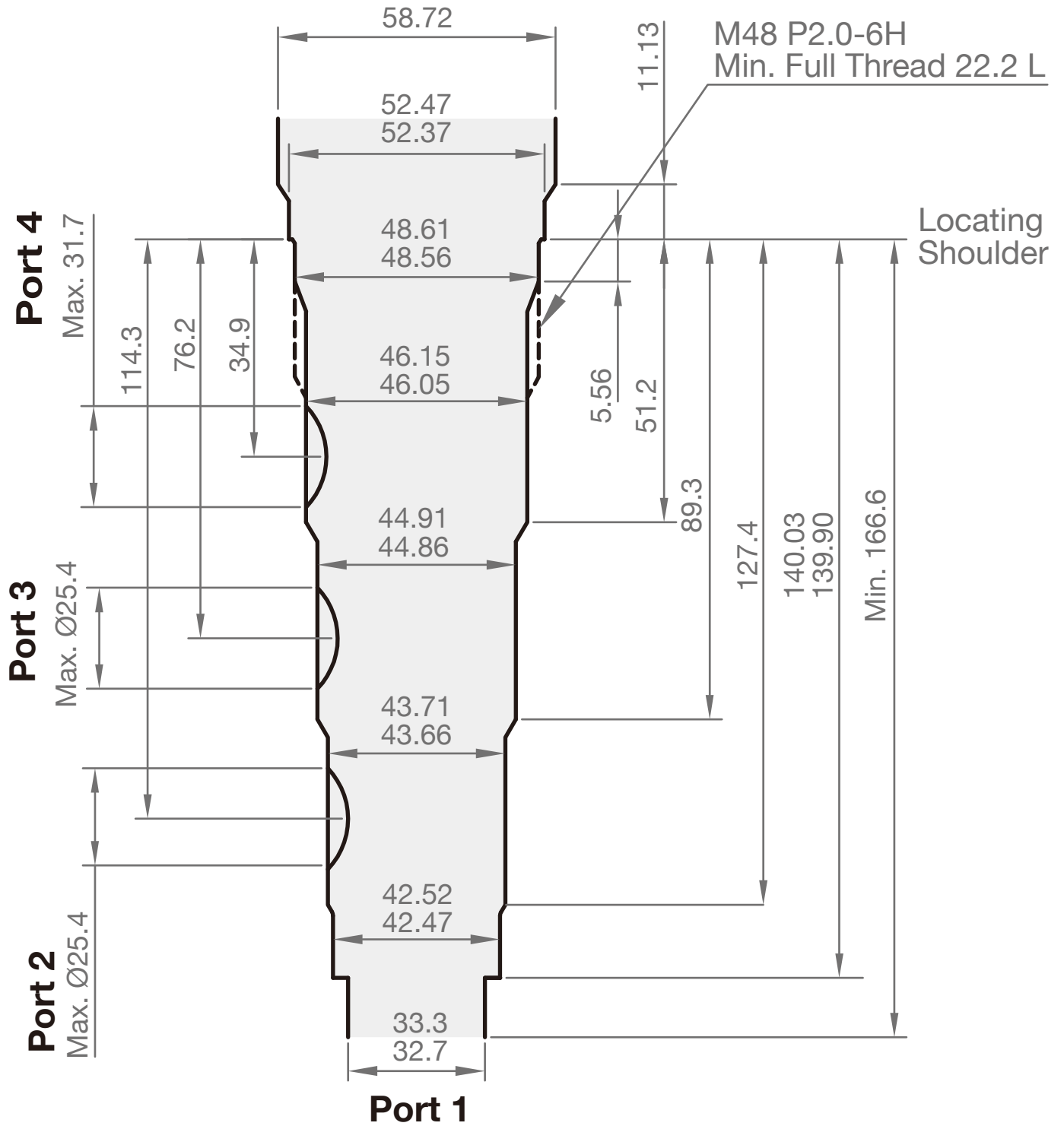
( unit : mm )

# T33A



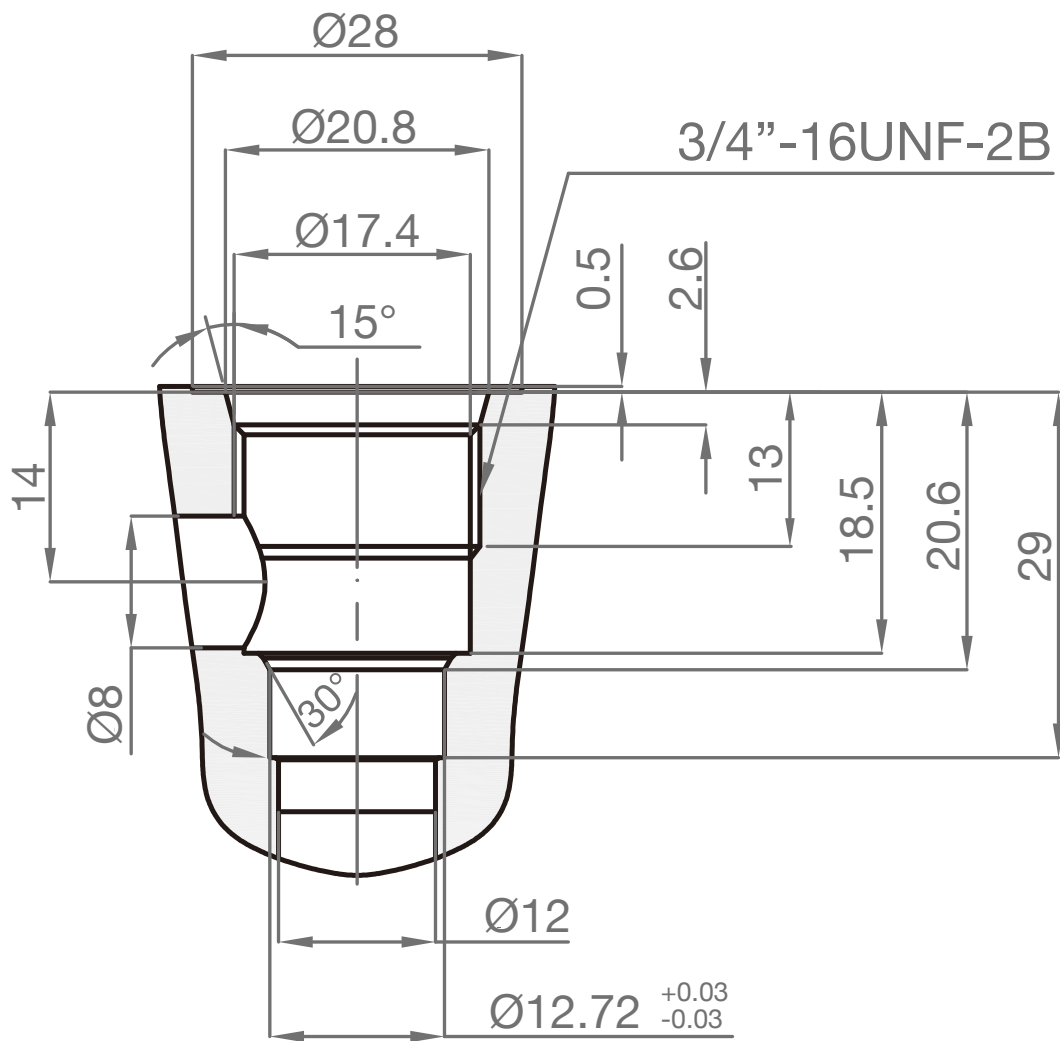
( unit : mm )

# T34A



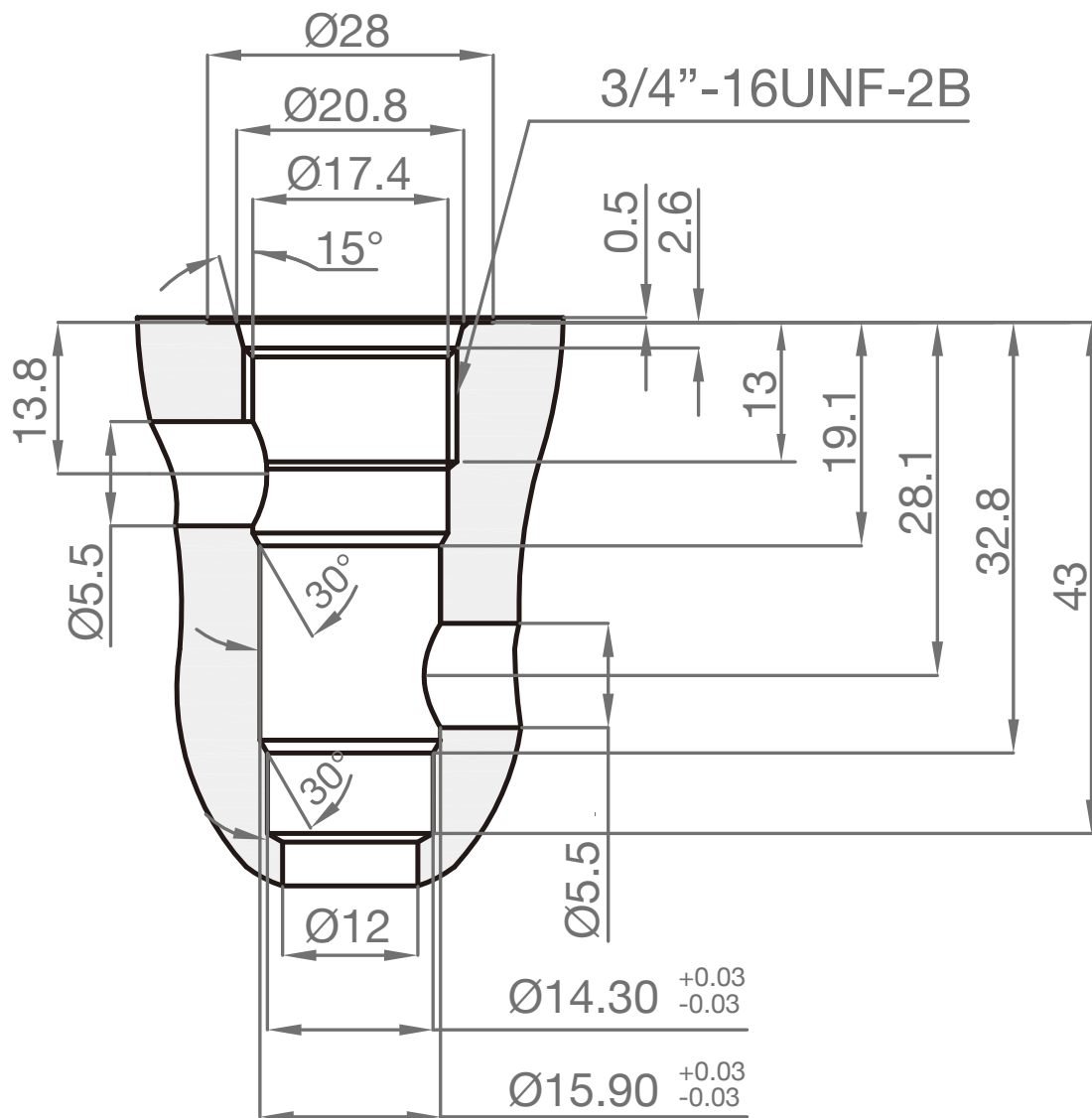
( unit : mm )

# T082



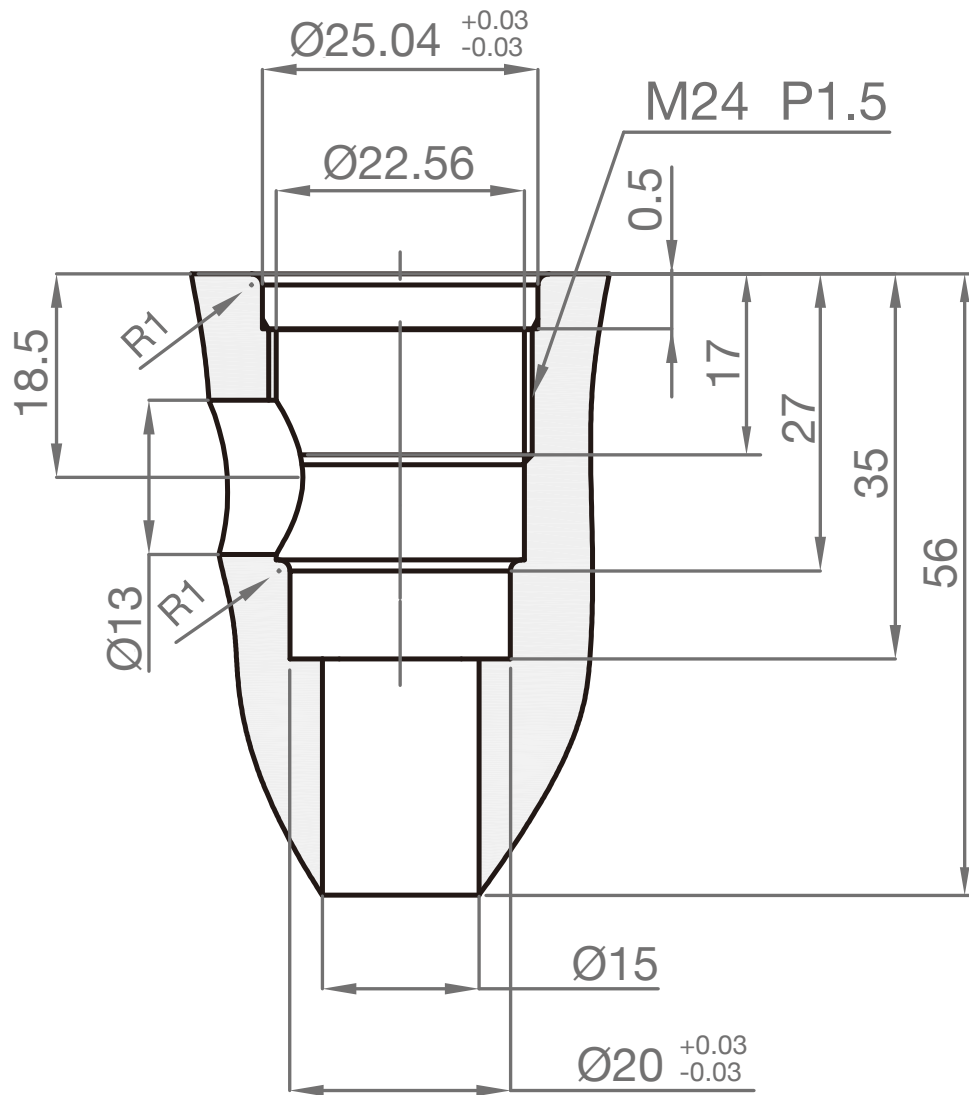
( unit : mm )

# T083



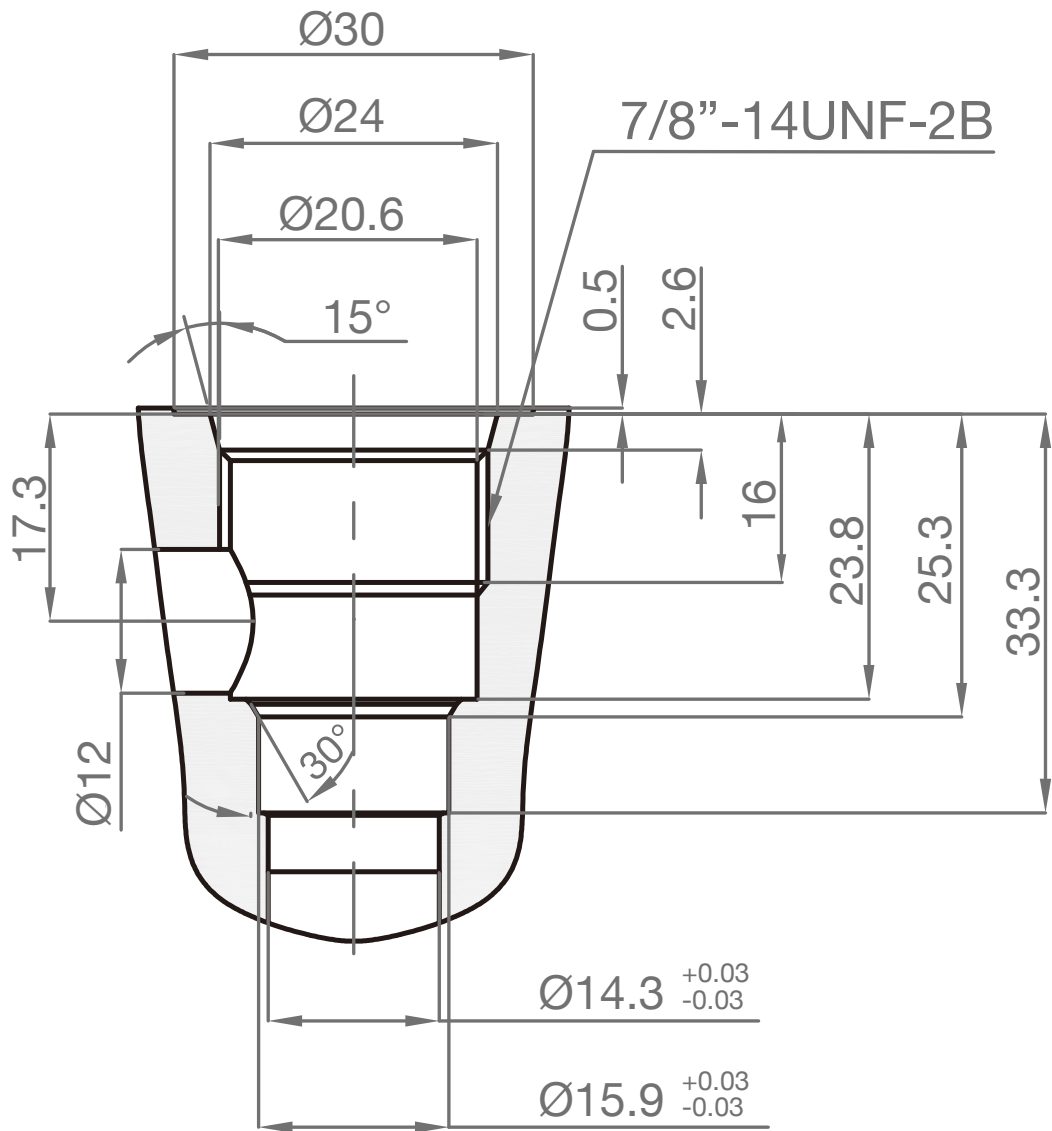
( unit : mm )

# T092



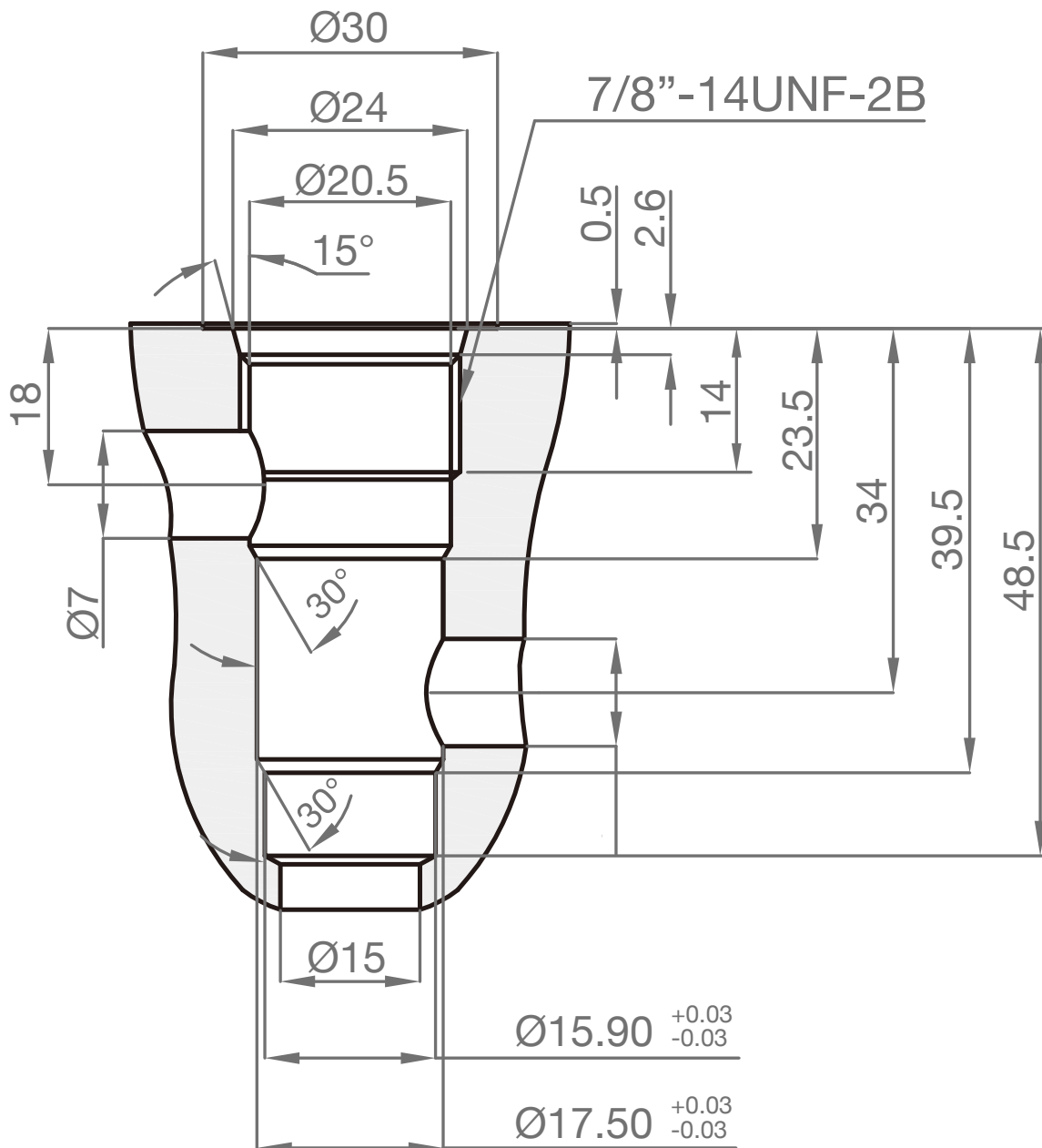
( unit : mm )

# T102



(unit : mm)

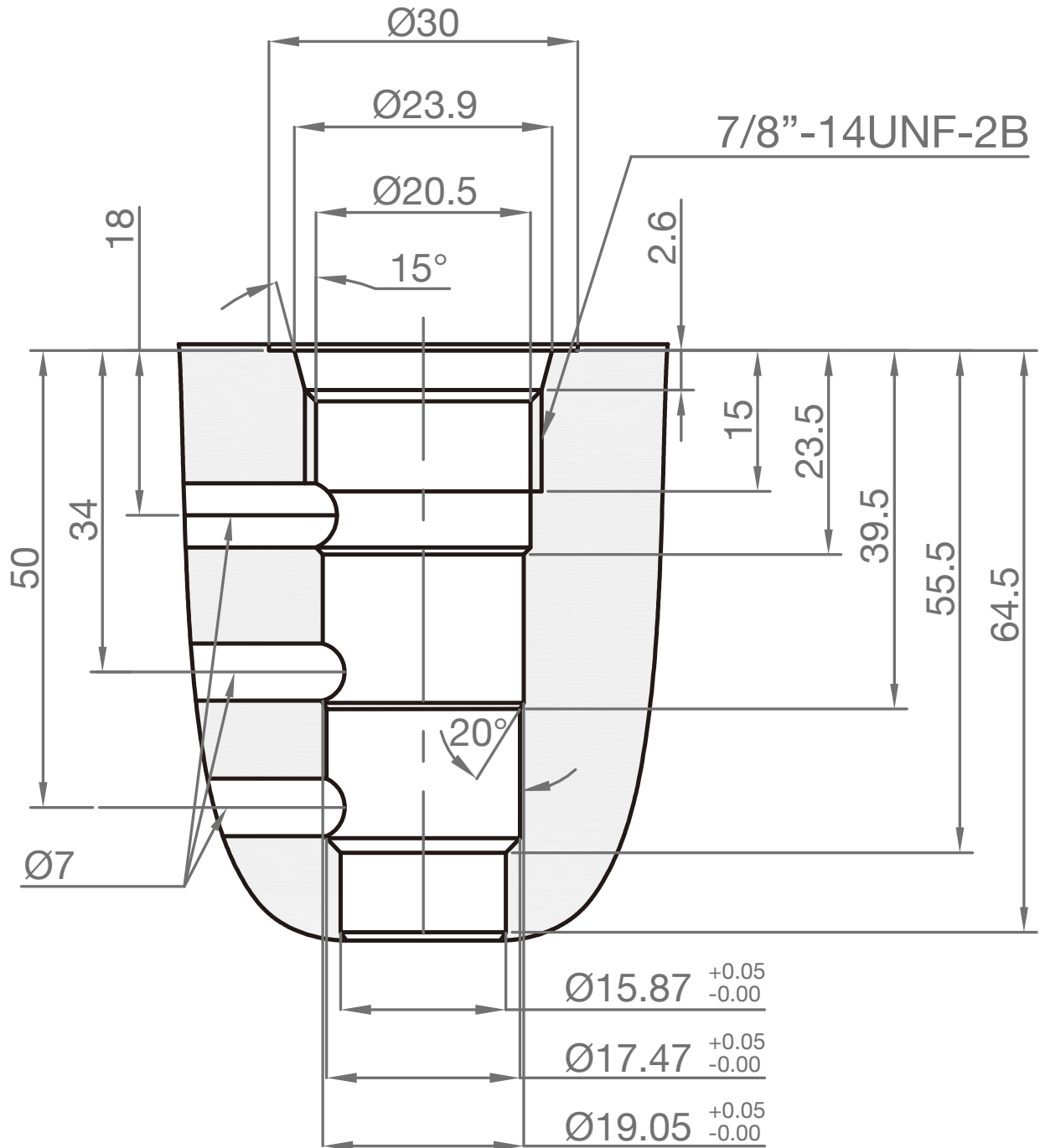
# T103



( unit : mm )

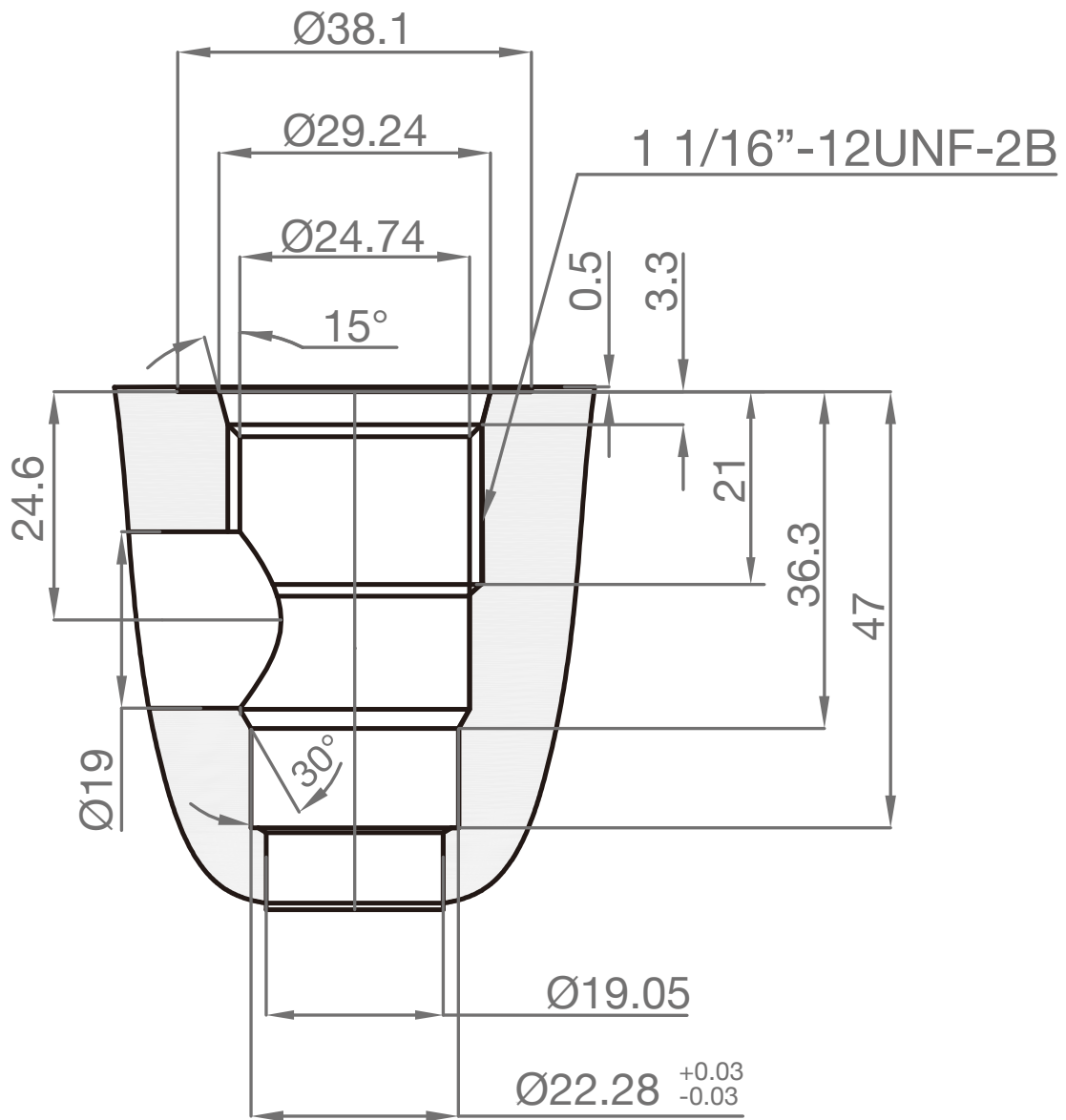


# T104



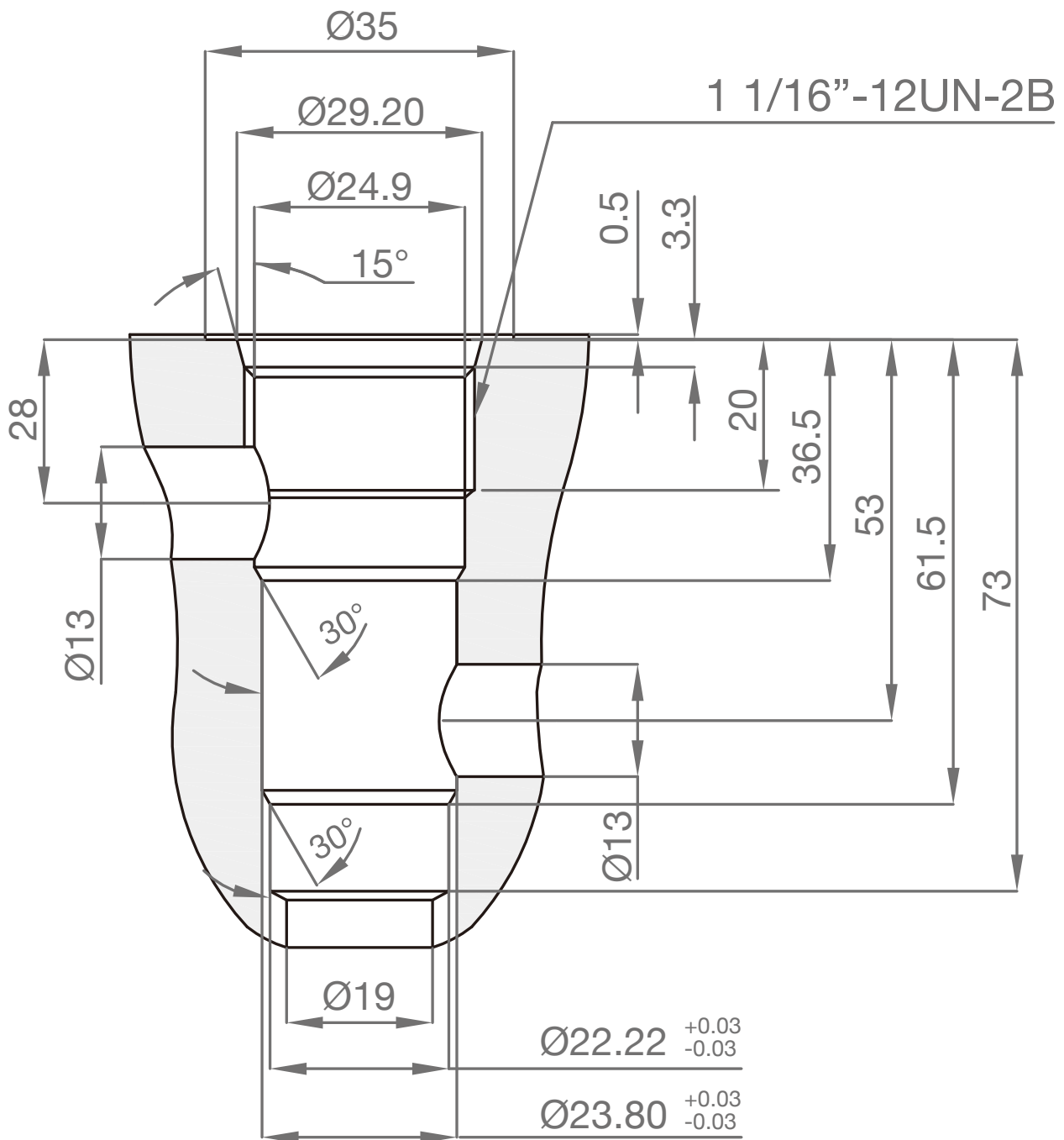
(unit : mm)

# T122



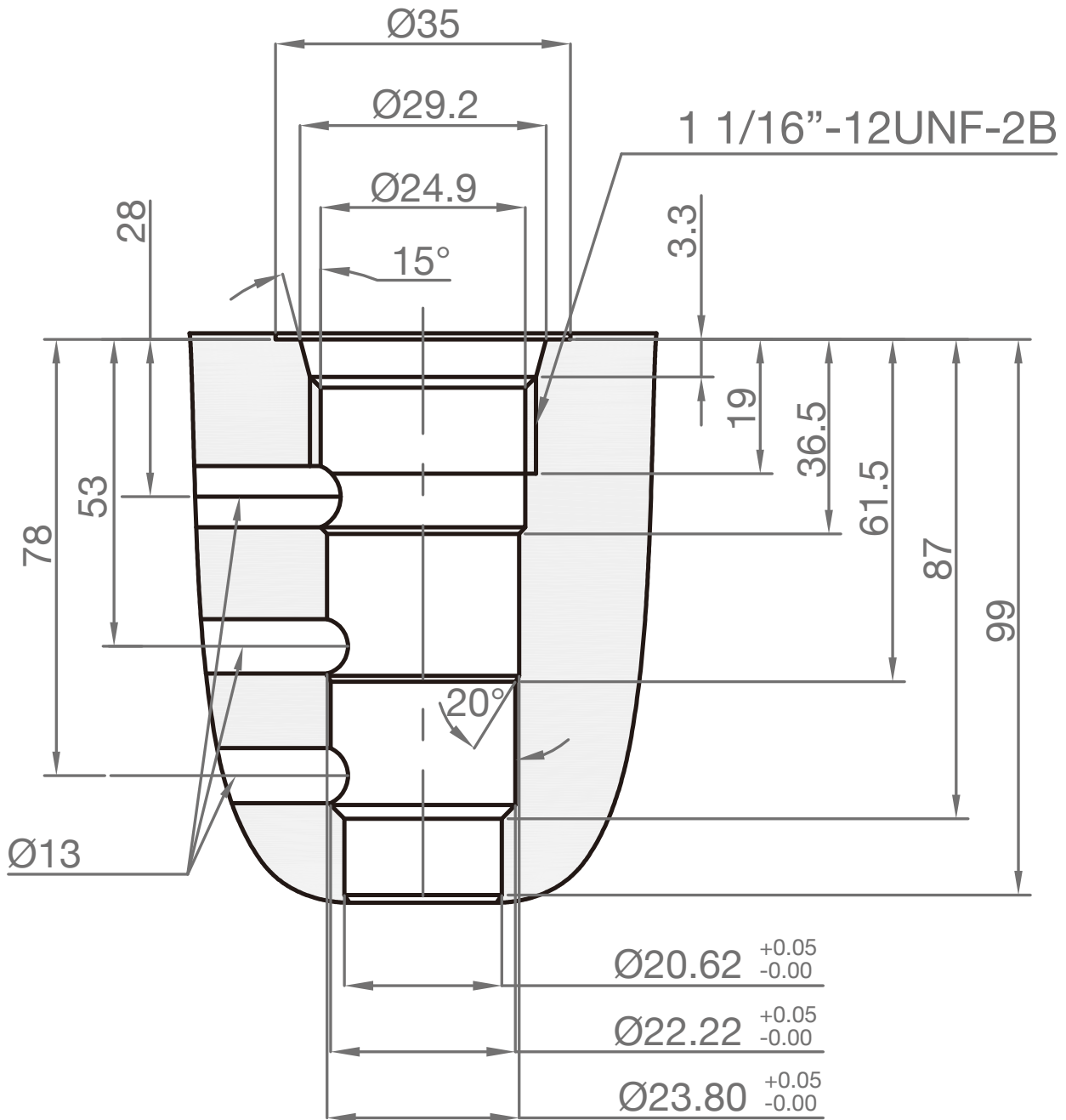
( unit : mm )

# T123



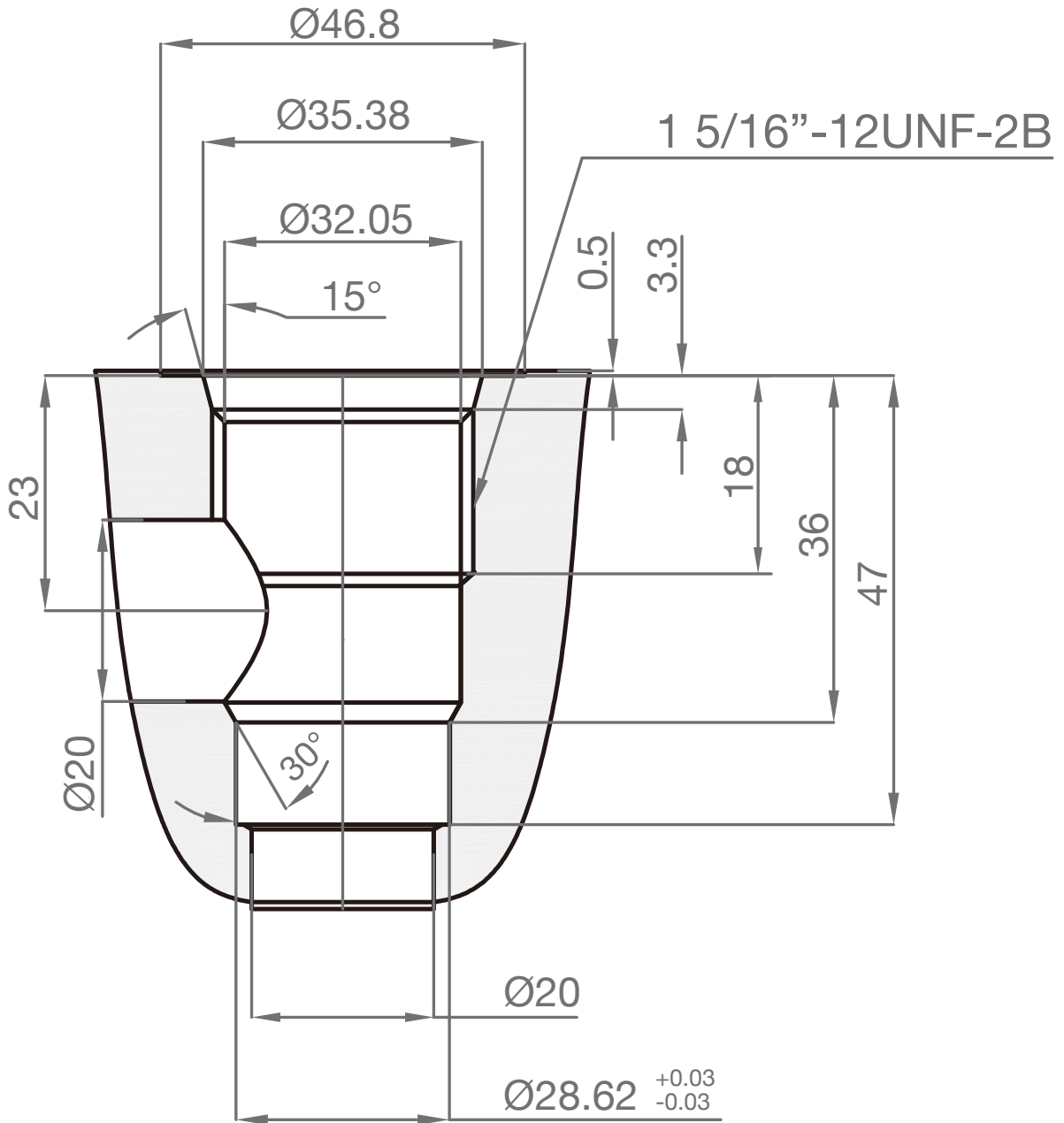
( unit : mm )

# T124



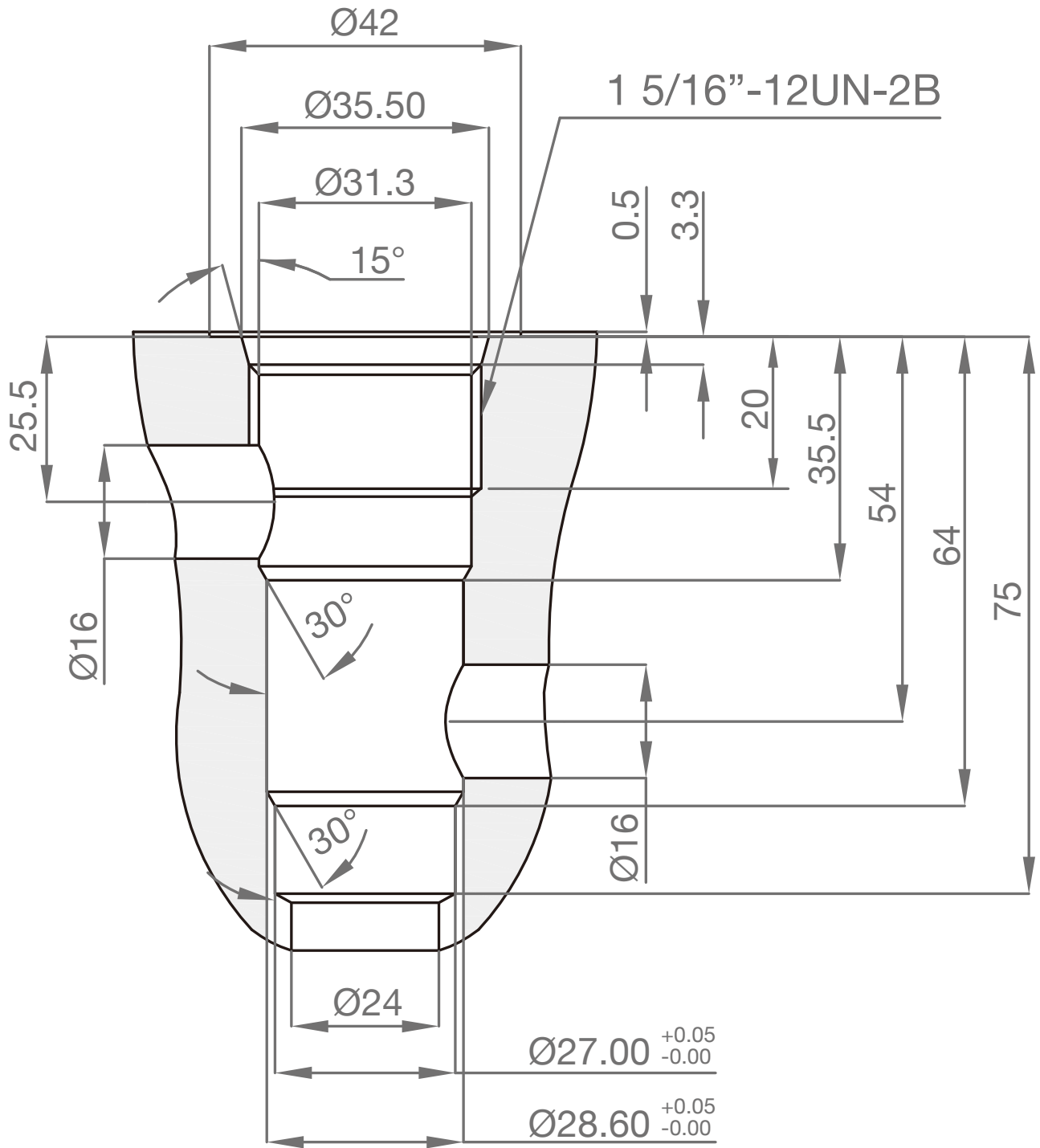
( unit : mm )

# T162



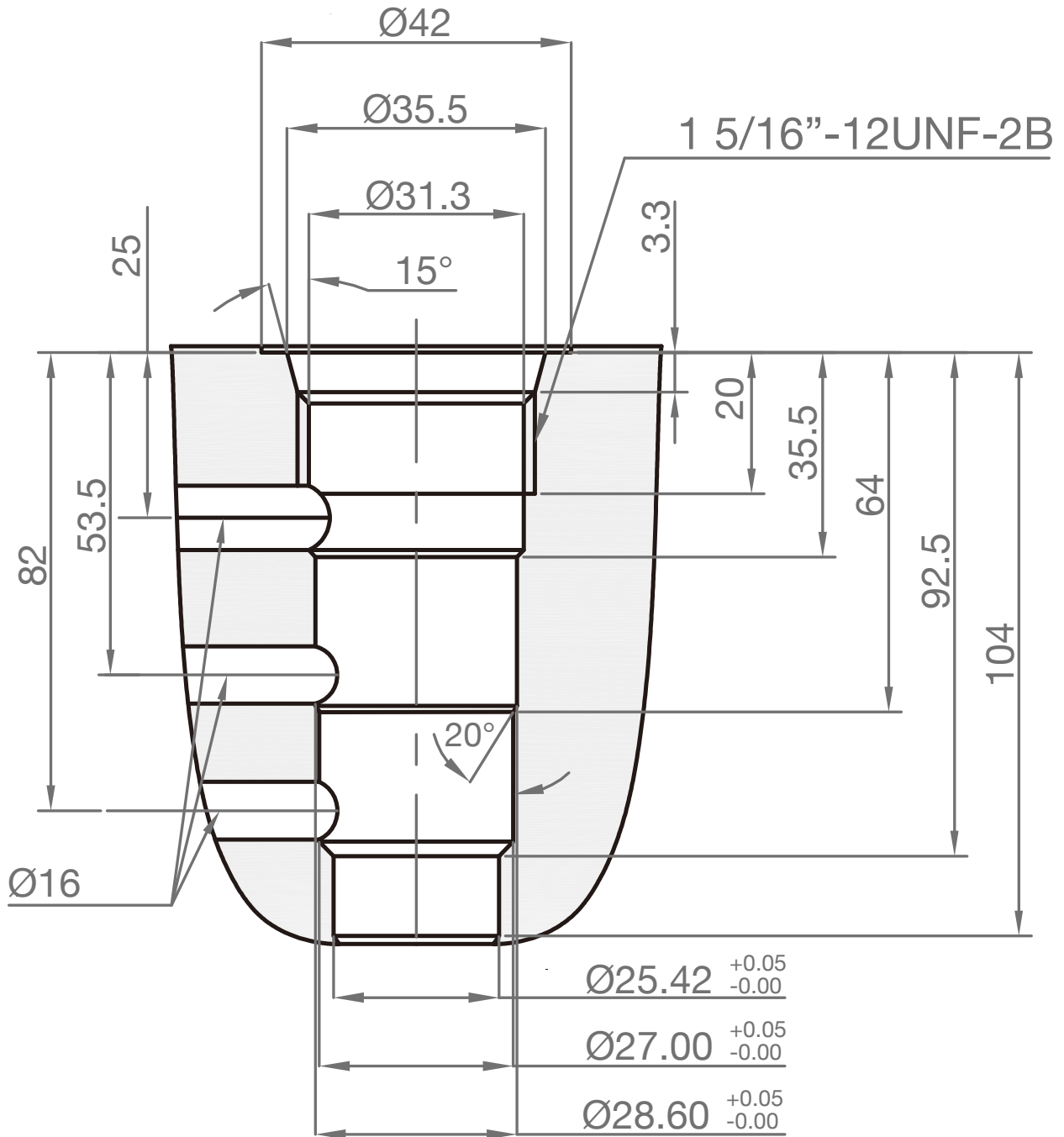
( unit : mm )

# T163



( unit : mm )

# T164



(unit : mm)