

Modular Hydraulic Valve

- Modular Relief Valve
- Modular Reducing Valve
- Modular Counter Balance Valve
- Modular Flow Control Valve
- Solenoid Modular Flow Control Valve
- Modular Check Valve
- Modular Pilot Operated Check Valve
- Modular Motor Brake Valve



Technical Info.	04
Index	05
Modular Relief Valve	
MRV	06
Modular Reducing Valve	
MBRV	09
Modular Counter Balance Valve	
MSCV	12
Modular Flow Control Valve	
MTV, MTCV-P	14
MTCV	16
Solenoid Modular Flow Control Valve	
MST	19
Modular Check Valve	
MCV	22
Modular Pilot Operated Check Valve	
MPCV	24
Modular Motor Brake Valve	
MRV-D	27

Technical Info.

FEATURES

1. Rugged Steel Body Designs :

Designed for high cycle and quick response applications.

2. Uniform Height :

Valve body thickness is the same for each series and provides a clean, neat uniform appearance. This also reduces the number of bolt kits.

3. Better Performance :

Modular valving eliminates leaky connections, reduces plumbing costs and places controls together.

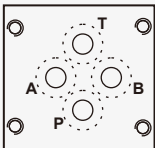
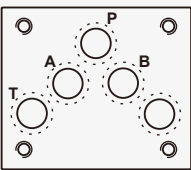
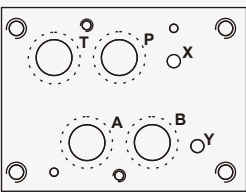
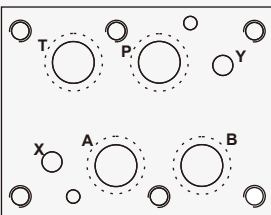
4. Space Savings :

Manifold mounted control circuits greatly reduce space requirements from conventional line mounted valves.

5. Adjustment :

Hand knobs with locknuts provided standard-tools are not required for adjustments.

SPEC.

Size	02	03	04	06
Mounting Surfaces: General Patterns				
Mounting Surface	ISO 4401-03 cetop-03	ISO 4401-05 cetop-05	ISO 4401-07 cetop-07	ISO 4401-08 cetop-08
Normal Flow Rate	19 l/min (5 gpm)	45 l/min (12 gpm)	76 l/min (20 gpm)	130 l/min (35 gpm)
Max. Pressure	210 kgf/cm ²			
Operating Temperature	5~70 °C			
Viscosity of fluid	17~65 Cst			
Operating Filtering Fineness	25 micron or less (ISO 18/15)			
Recommended Fluids	Petroleum Based Fluids - ISO VG32-68			

Index

MODULAR VALVE TYPE

Page No.	Model No.	Valve Sizes				Function	Symbols
		02	03	04	06		
06	MRV	○	○	○	○	Modular relief valve	
09	MBRV	○	○	○	○	Modular reducing valve	
12	MSCV	○	○	-	-	Modular Counter Balance Valve	
14	MTV	○	○	-	-	Modular Flow Control Valve	
14	MTCV-P	○	○	-	-	Modular Flow Control Valve	
16	MTCV-W (Metre-out)	○	○	○	○	Modular Flow Control and Check Valve	
16	MTCV-W (Metre-in)	○	○	○	○	Modular Flow Control and Check Valve	
19	MST	○	○	-	-	Solenoid Modular Flow Control Valve	
22	MCV	○	○	-	-	Modular Check Valve	
24	MPCV	○	○	○	○	Modular Pilot Operated Check Valve	
27	MRV-D	○	-	-	-	Modular Motor Brake Valve	



MRV



MRV-02



MRV-03

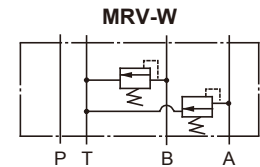
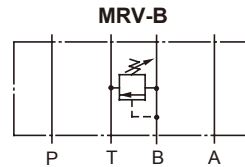
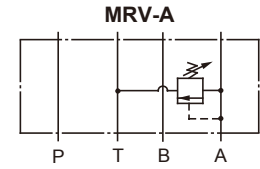
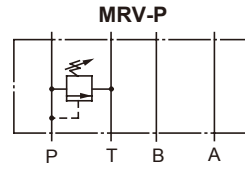


MRV-04



MRV-06

SYMBOLS



ORDER CODES

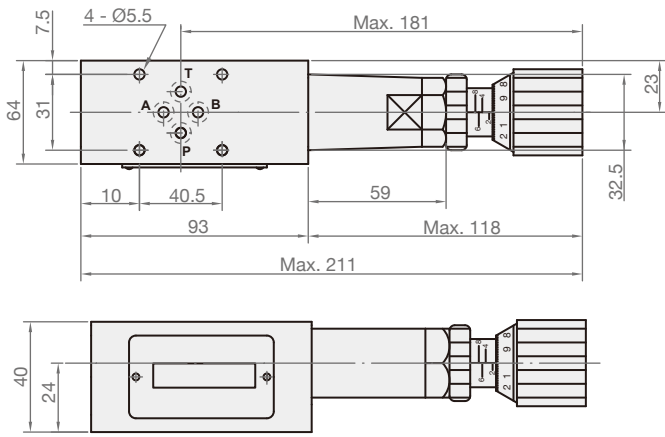


1	▶ Model Name	MRV	
2	▶ Thread Connection	02	1/4"
		03	3/8"
		04	1/2"
		06	3/4"
3	▶ Action Form	P	
		A	
		B	
		W	
4	▶ Pressure Adj. Range	1	7~70 kgf/cm ²
		2	35~140 kgf/cm ²
		3	70~210 kgf/cm ²

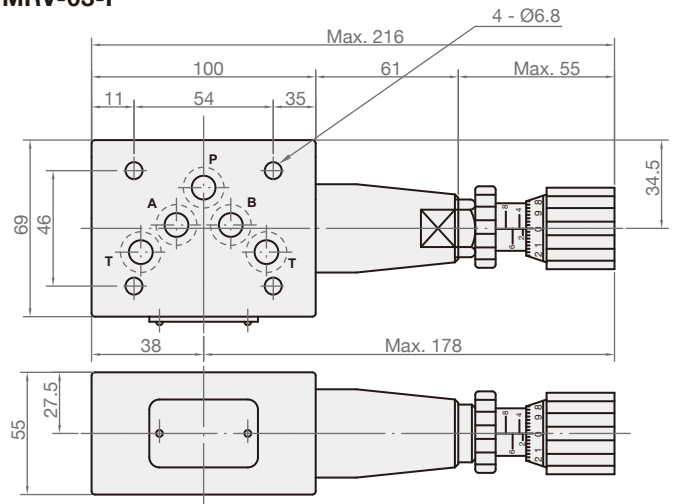
MODEL SPEC.

Model	Max. Pressure (kgf/cm ²)	Pressure Adj. Range (kgf/cm ²)	Max. Flow (l/min)	Weight (kg)
MRV-02-P, A, B	210	1: 7~70 2: 35~140 3: 70~210	35	1.7
MRV-02-W			35	2.5
MRV-03-P, A, B			70	3.2
MRV-03-W			70	4.5
MRV-04-P, A, B			160	6.7
MRV-06-P, A, B			200	11.0

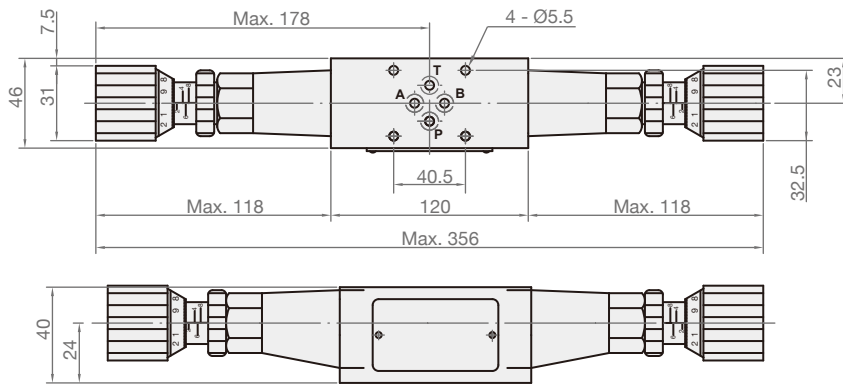
► MRV-02-P



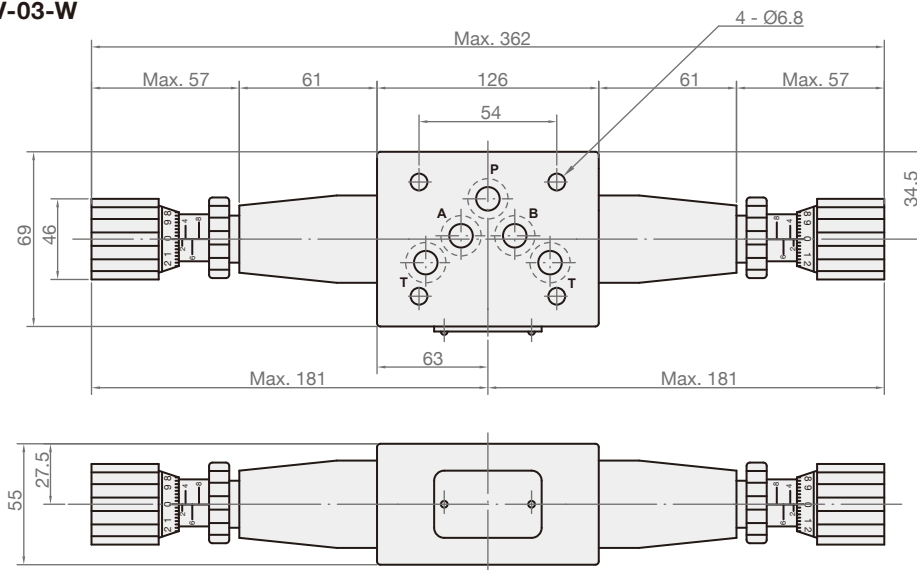
► MRV-03-P



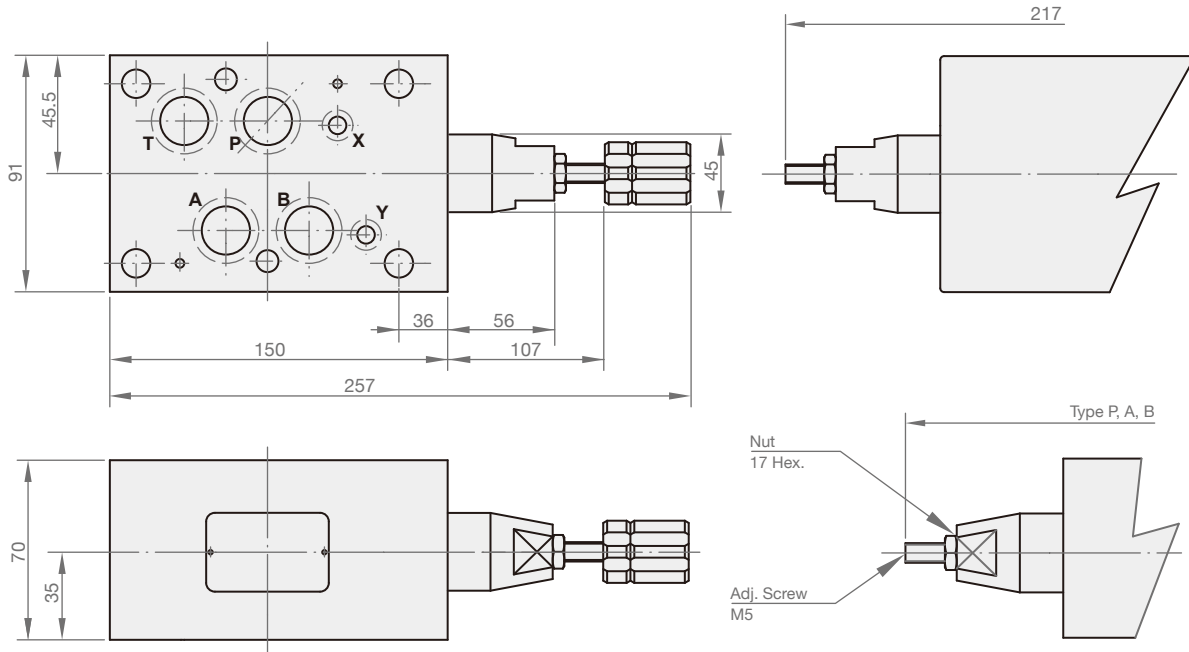
► MRV-02-W



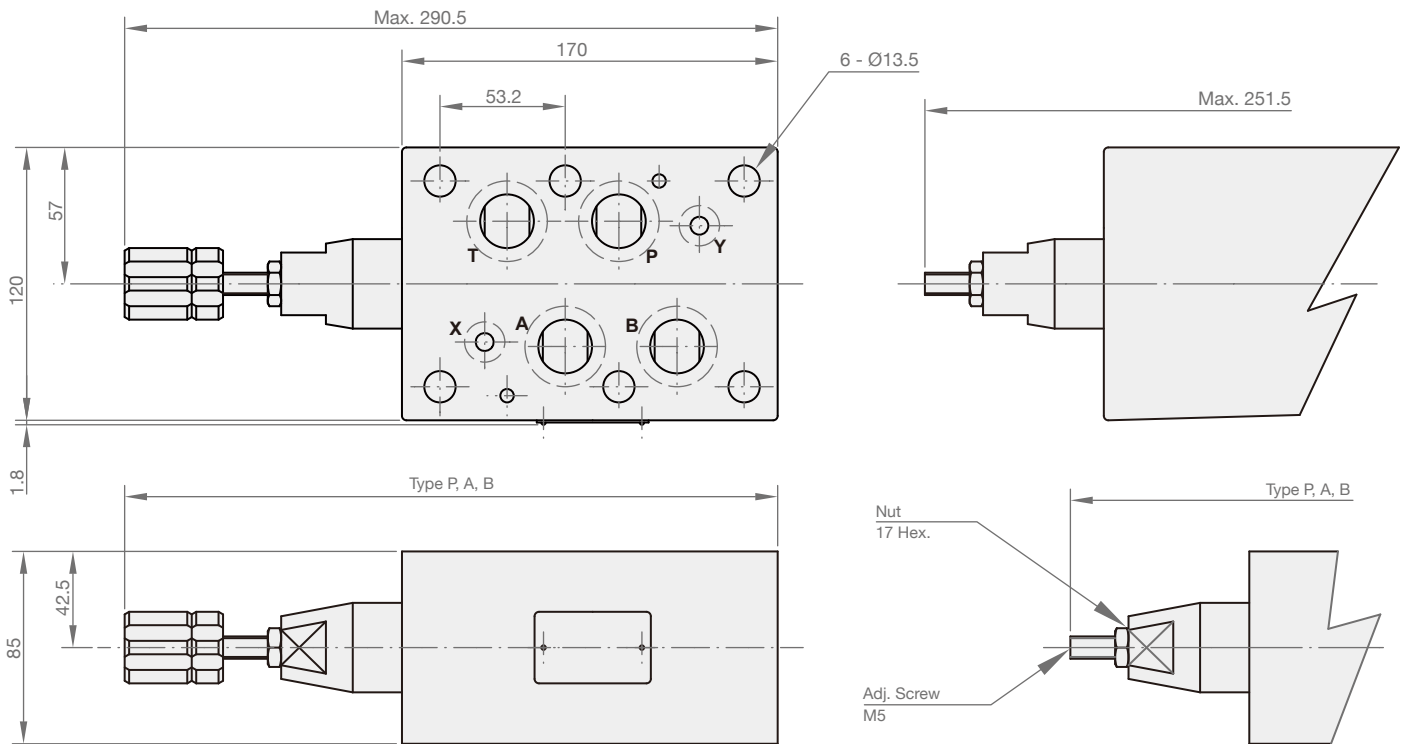
► MRV-03-W



► MRV-04



► MRV-06



MBRV



MBRV-02



MBRV-03

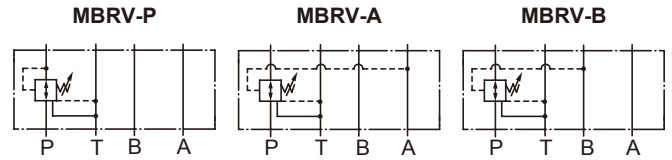


MBRV-04



MBRV-06

SYMBOLS



ORDER CODES

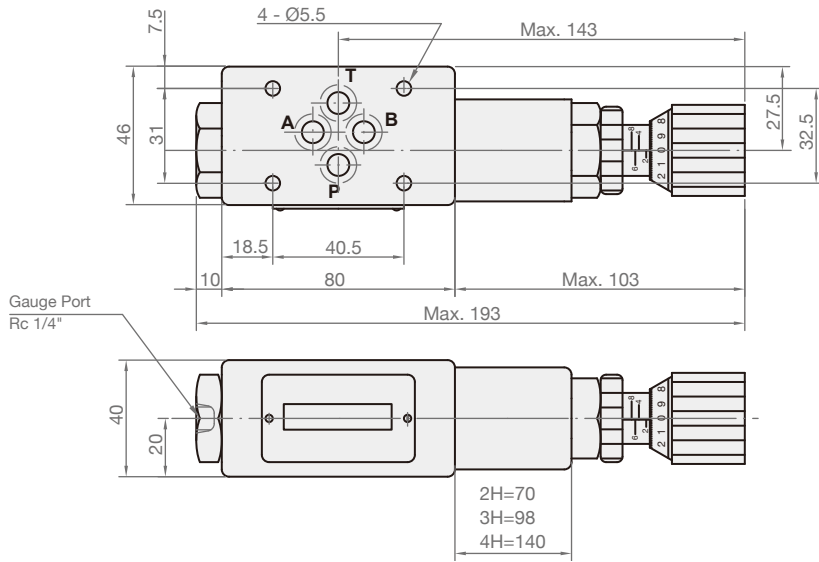


1	Model Name	MBRV	
2	Thread Connection	02	1/4"
		03	3/8"
		04	1/2"
		06	3/4"
3	Action Form	P	
		A	
		B	
4	Pressure Adj. Range	0	3~30 kgf/cm ²
		1	8~70 kgf/cm ²
		2	35~140 kgf/cm ²
		3	70~210 kgf/cm ²

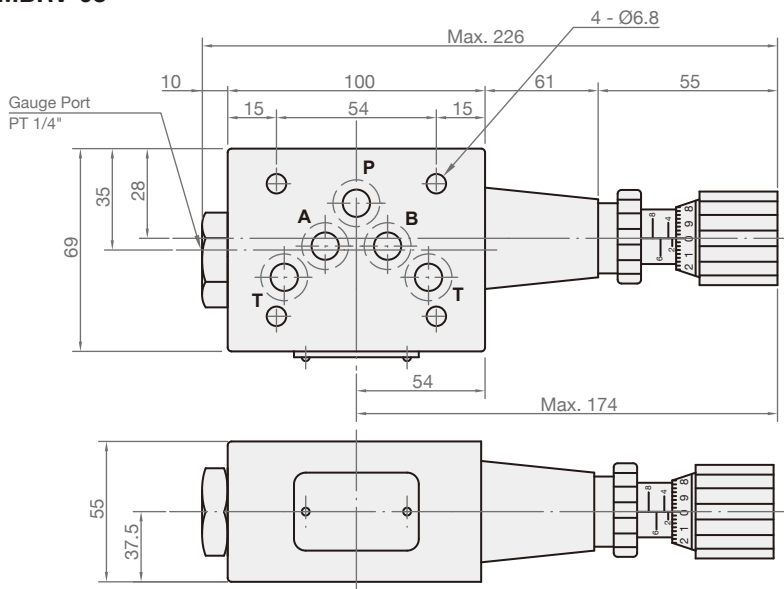
MODEL SPEC.

Model	Max. Pressure (kgf/cm ²)	Pressure Adj. Range (kgf/cm ²)	Max. Flow (l/min)	Weight (kg)
MBRV-02	210	0: 3~30 1: 8~70	35	1.3
MBRV-03		2: 35~140 3: 70~210	70	3.3
MBRV-04		1: 8~70 2: 35~140	120	7.7
MBRV-06		3: 70~210	180	11.0

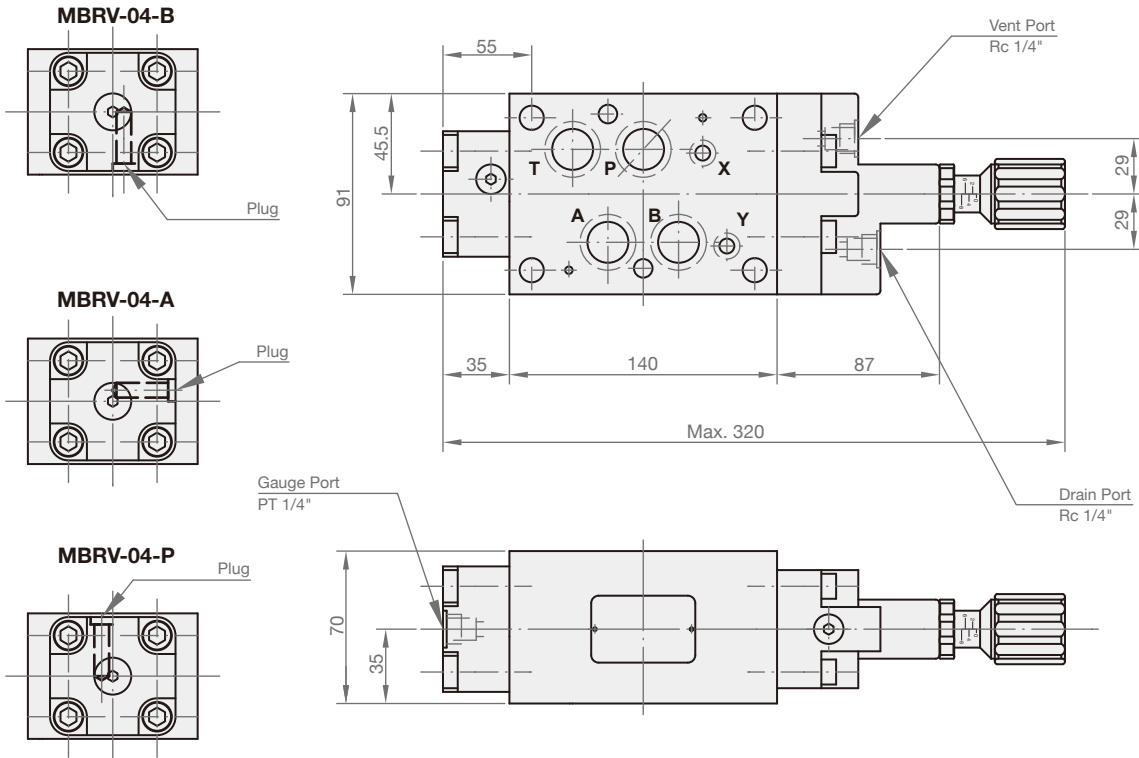
► MBRV-02



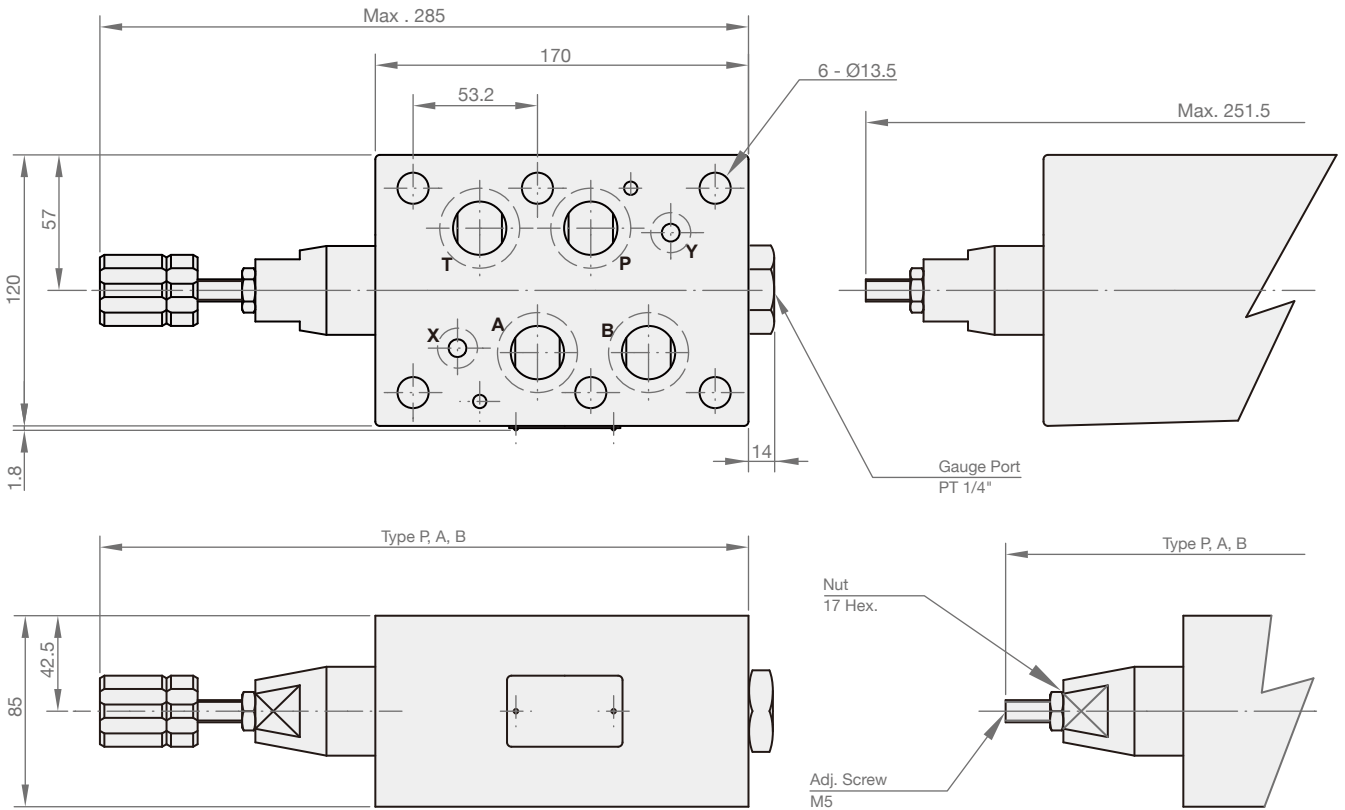
► MBRV-03



► MBRV-04



► MBRV-06



MSCV

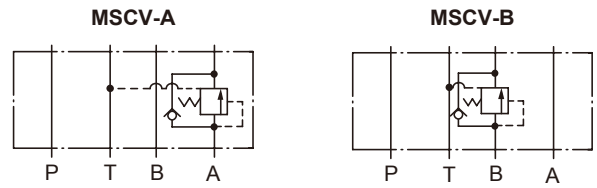


MSCV-02



MSCV-03

SYMBOLS



ORDER CODES

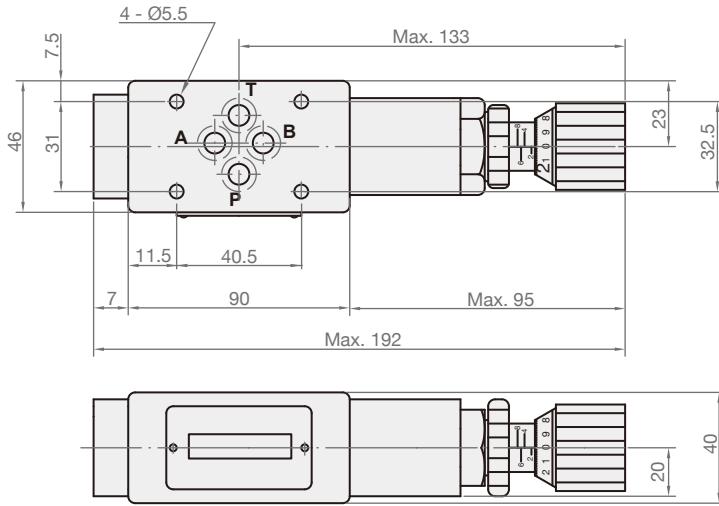


1	Model Name	MSCV	
2	Thread Connection	02	1/4"
		03	3/8"
3	Action Form	A	
		B	
4	Pressure Adj. Range	1	8~70 kgf/cm ²
		2	35~140 kgf/cm ²
		3	70~210 kgf/cm ²

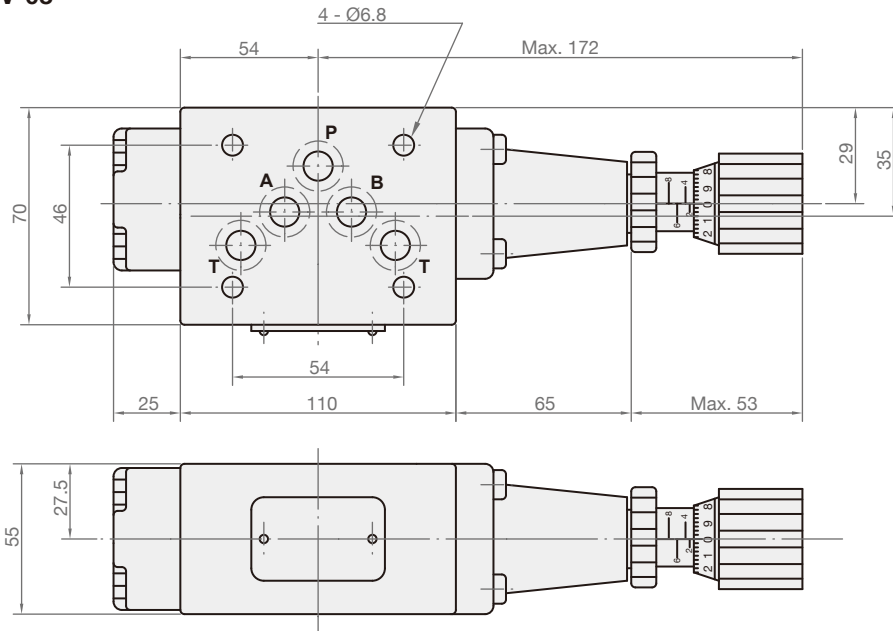
MODEL SPEC.

Model	Max. Pressure (kgf/cm ²)	Pressure Adj. Range (kgf/cm ²)	Max. Flow (l/min)	Weight (kg)
MSCV-02	210	1: 8~70	35	1.5
MSCV-03		2: 35~140 3: 70~210		

► MSCV-02



► MSCV-03



MTV, MTCV-P

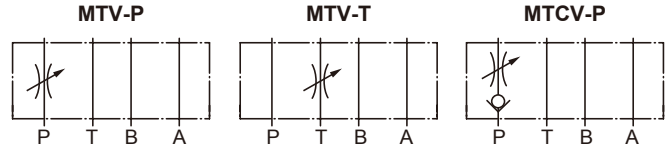


MTV-02-P, T
MTCV-02-P



MTV-03-P, T
MTCV-03-P

SYMBOLS



ORDER CODES

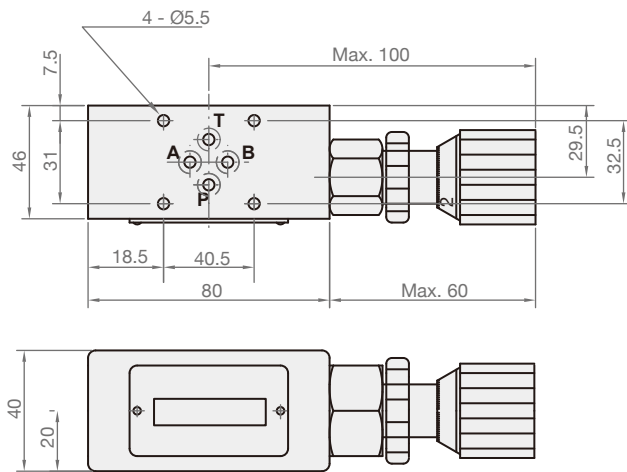


1	▶ Model Name	MTV	
		MTCV	
2	▶ Thread Connection	02	1/4"
		03	3/8"
3	▶ Action Form	P	
		T	

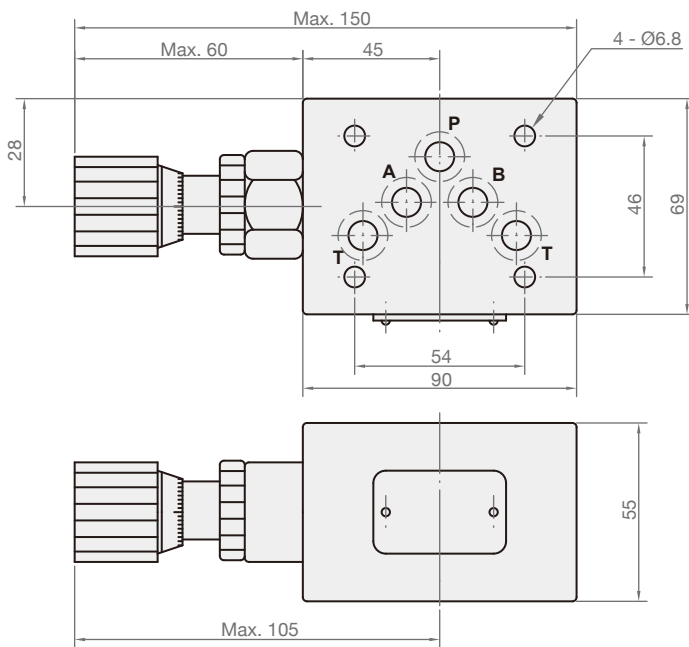
MODEL SPEC.

Model	Max. Pressure (kgf/cm ²)	Max. Flow (l/min)	Weight (kg)
MTV-02-P, T MTCV-02-P	210	35	1.1
MTV-03-P, T MTCV-03-P		70	2.6

► MTV-02, MTCV-02-P



► MTV-03, MTCV-03-P



MTCV



MTCV-02



MTCV-03

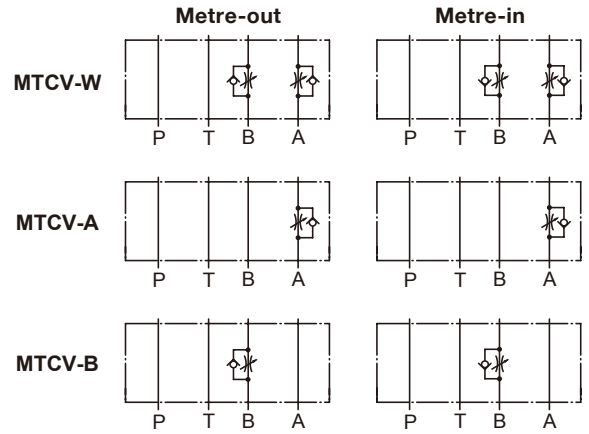


MTCV-04

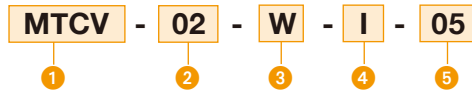


MTCV-06

SYMBOLS



ORDER CODES

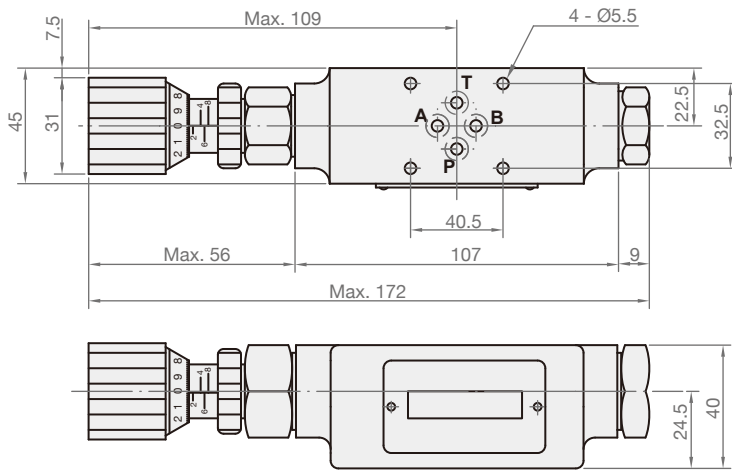


1 ▶ Model Name	MTCV	
2 ▶ Thread Connection	02	1/4"
	03	3/8"
	04	1/2"
	06	3/4"
3 ▶ Action Form	A	
	B	
	W	
4 ▶ Moving Direction	none	Out
	I	In
5 ▶ Checking Pressure	05	0.5 kgf/cm ²
	50	2.5 kgf/cm ²

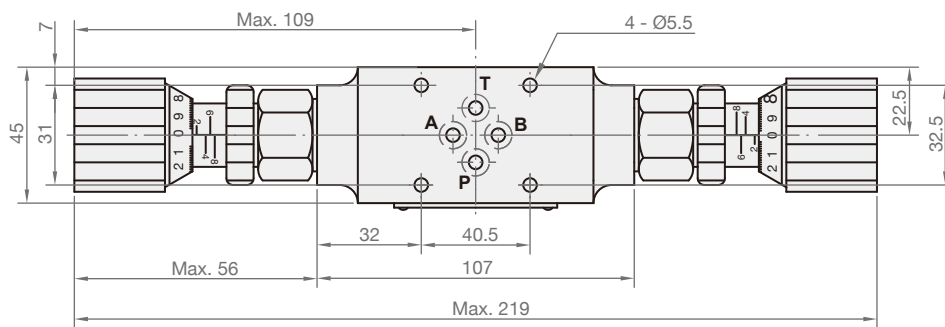
MODEL SPEC.

Model	Max. Pressure (kgf/cm ²)	Max. Flow (l/min)	Weight (kg)
MTCV-02	210	35	1.4
MTCV-03		70	3.0
MTCV-04		120	6.0
MTCV-06		180	12.5

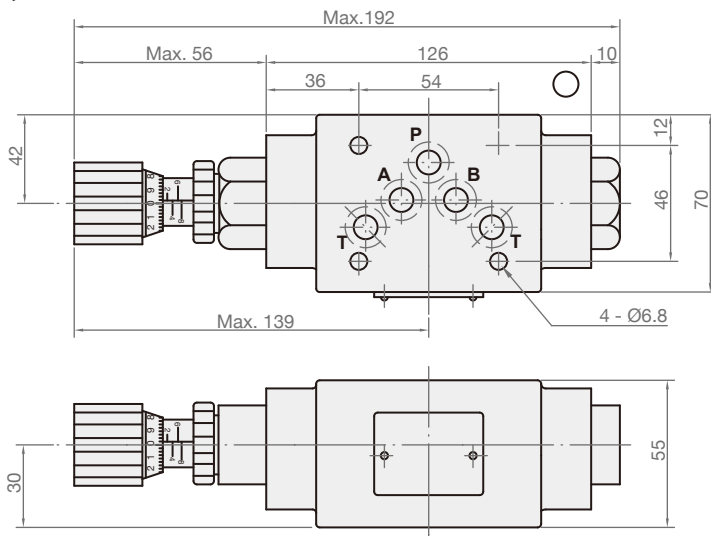
► MTCV-02-A, B



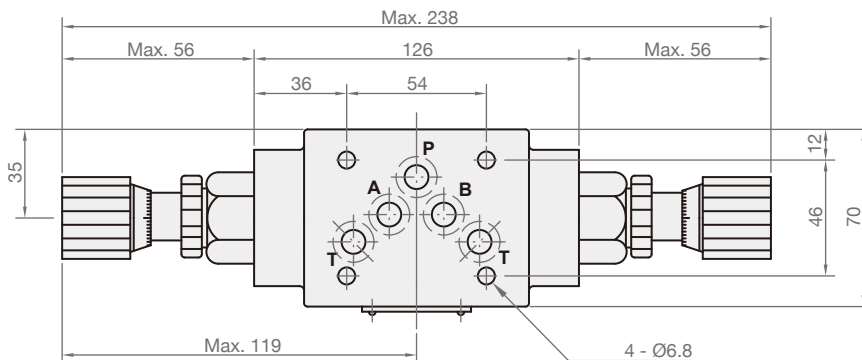
► MTCV-02-W



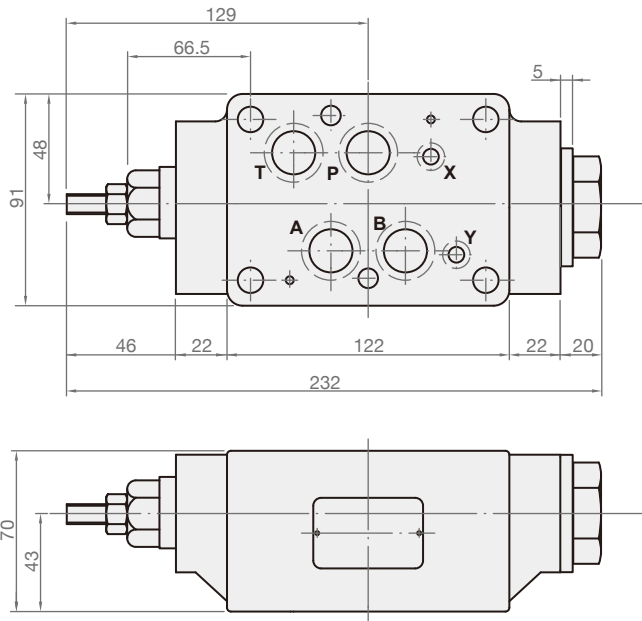
► MTCV-03-A, B



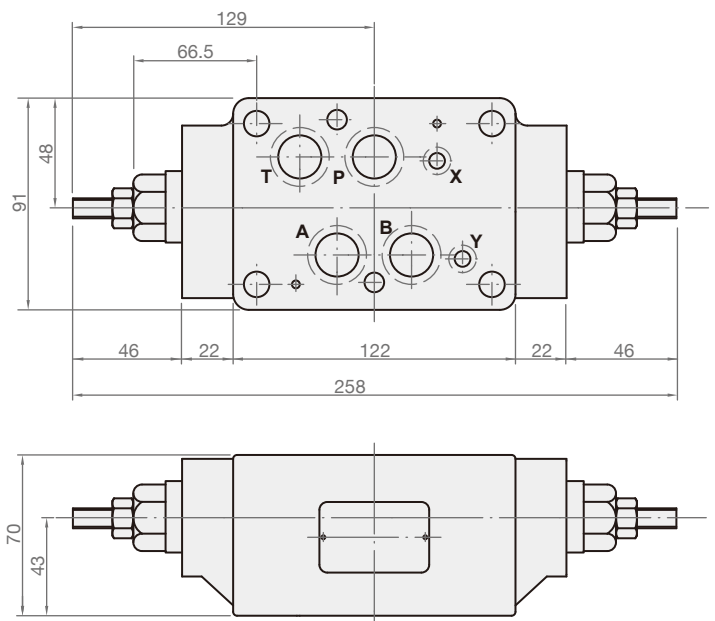
► MTCV-03-W



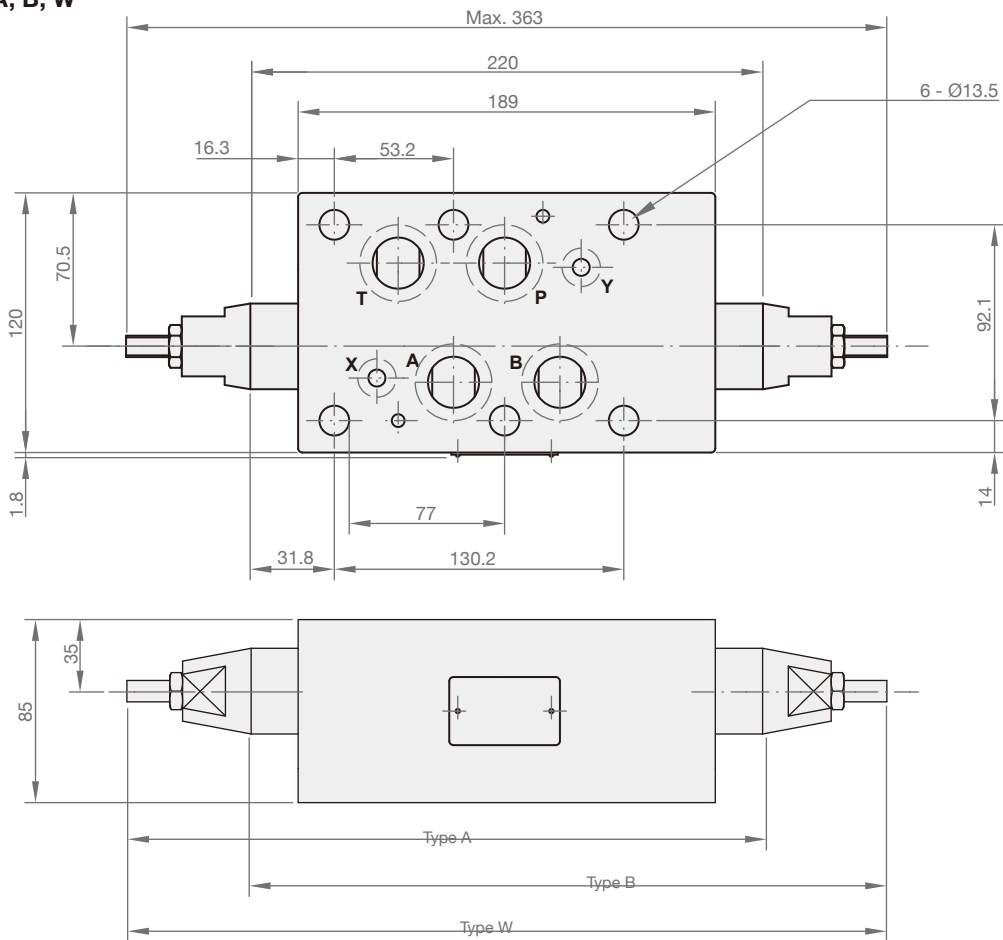
► MTCV-04-A, B



► MTCV-04-W



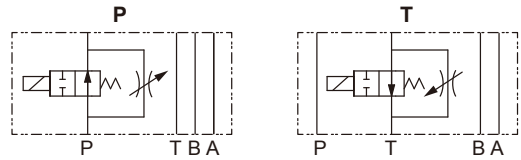
► MTCV-06-A, B, W



MST



SYMBOLS



ORDER CODES

MST - 03 - P - D2

1 2 3 4

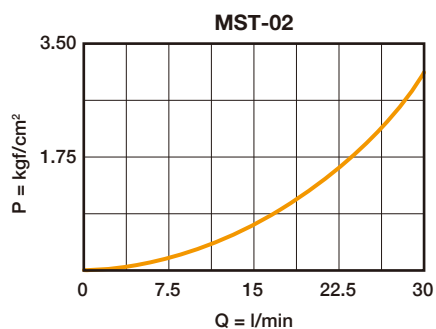
1	▶ Model Name	MST	
2	▶ Thread Connection	O2	1/4"
		O3	3/8"
3	▶ Action Form	P	
		T	
4	▶ Power Source	A1	AC 110V, 50/60Hz
		A2	AC 220V, 50/60Hz
		D1	DC 12V
		D2	DC 24V

MODEL SPEC.

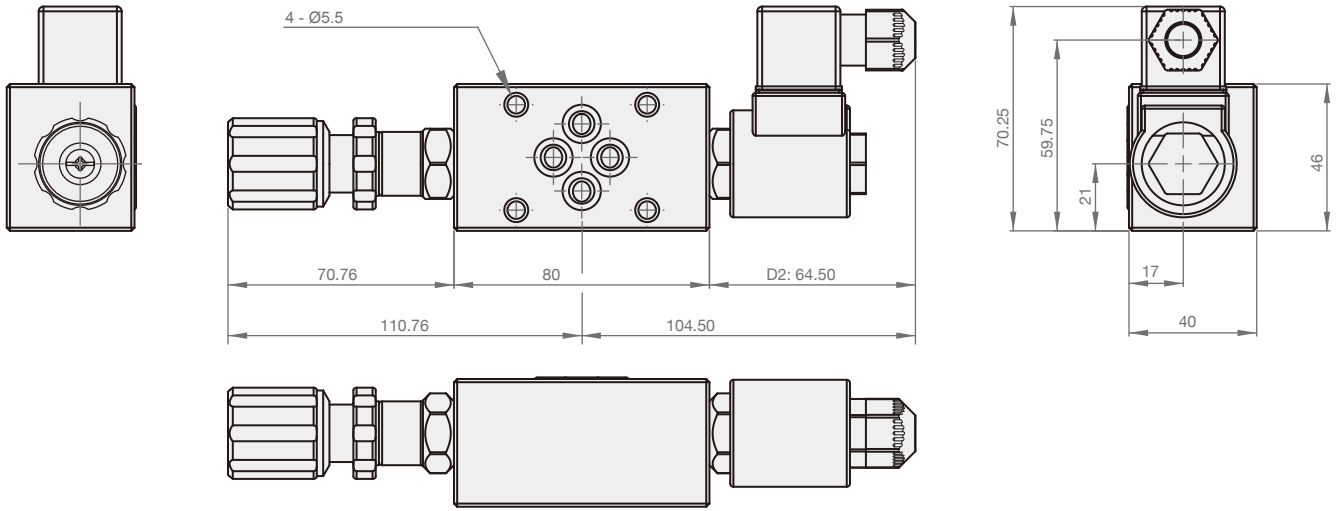
Model	Max. Pressure (kgf/cm ²)	Max. Flow (l/min)	Weight (kg)
MST-02	210	35	1.28
MST-03	210	70	3.8

CURVE

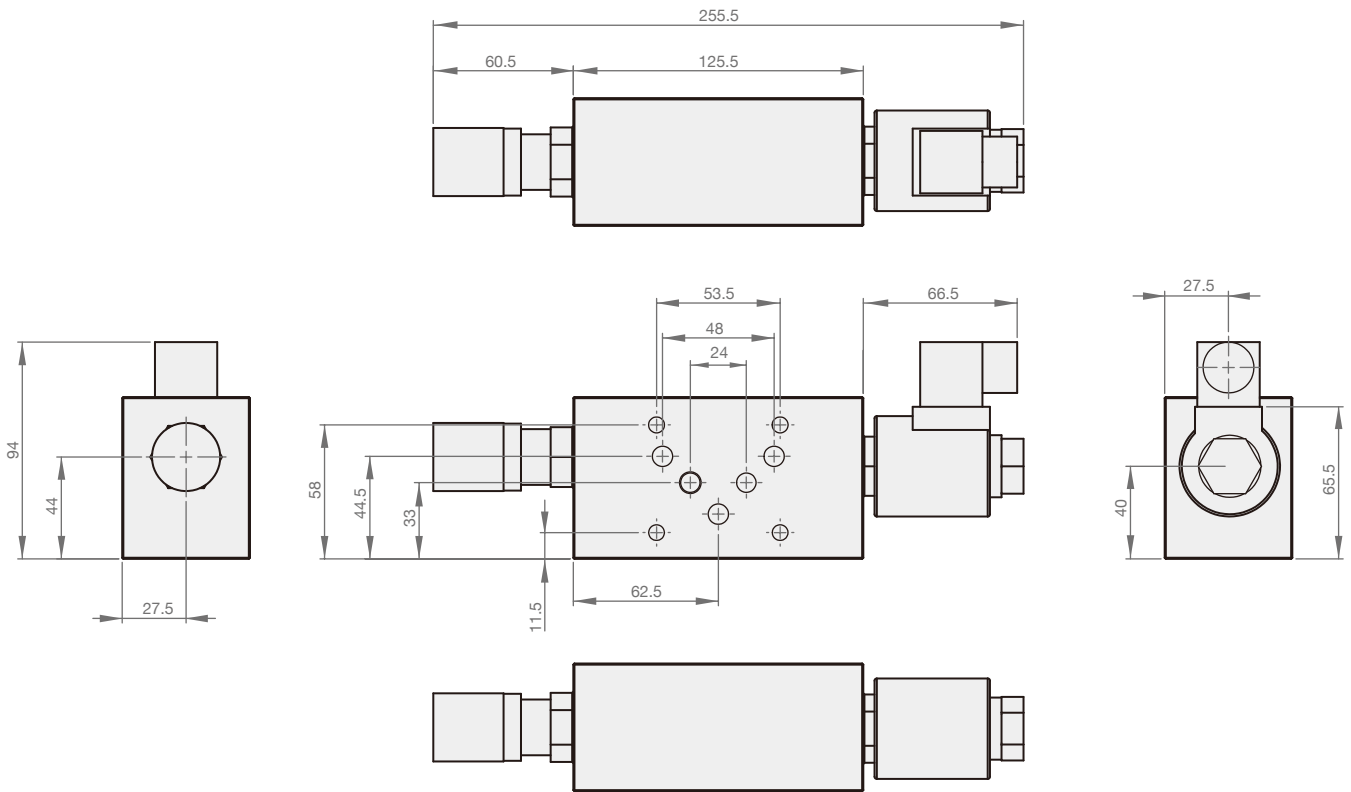
▶ Pressure Drop (Fully Open)

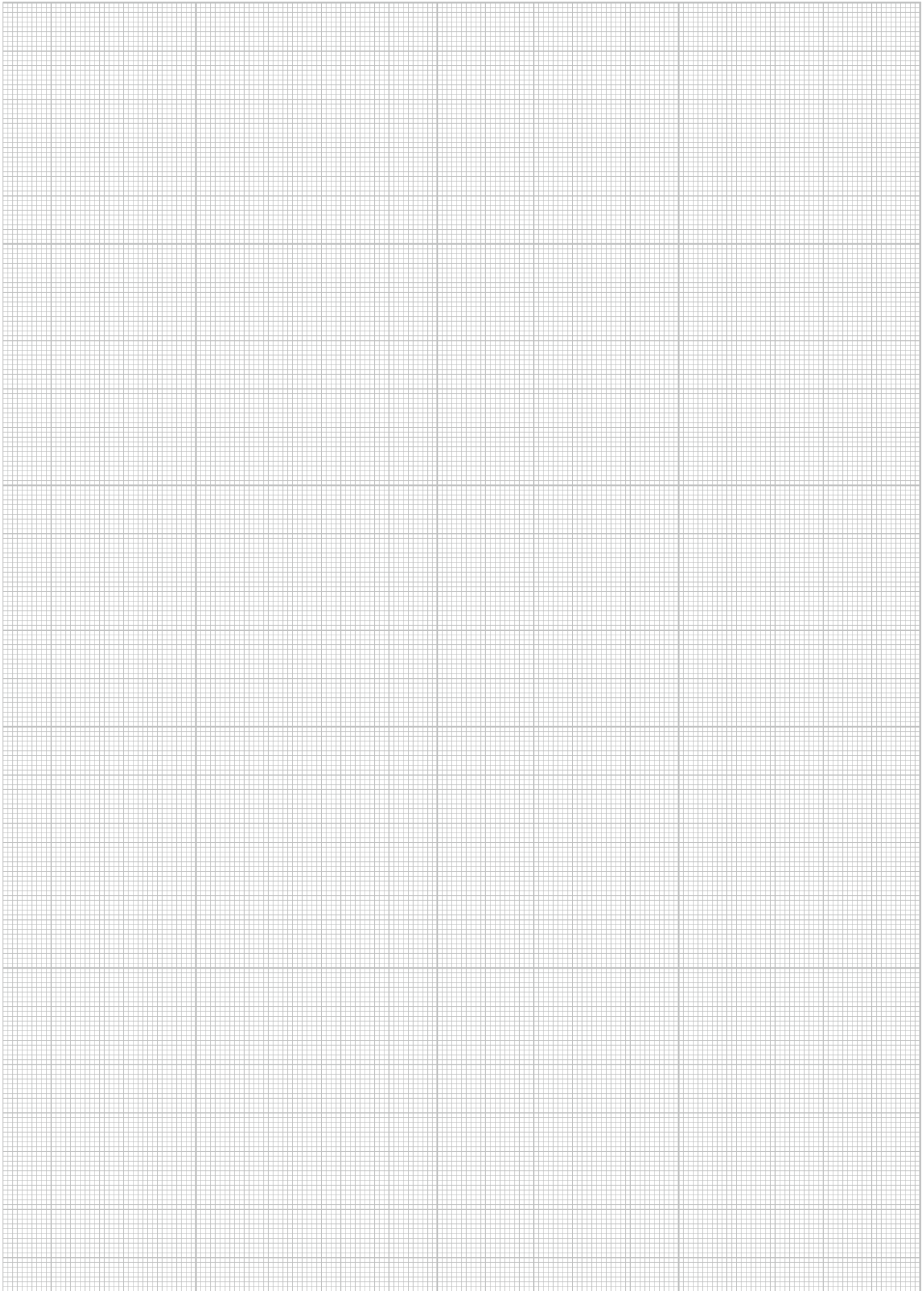


► MST-02



► MST-03





MCV

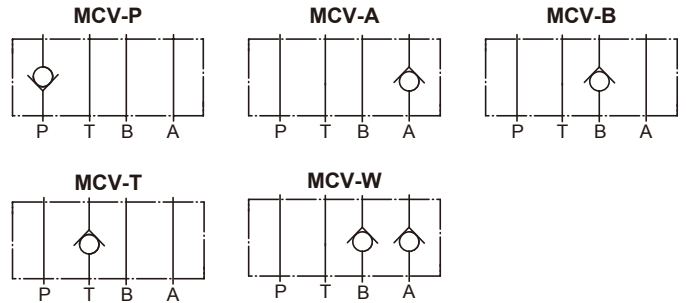


MCV-02

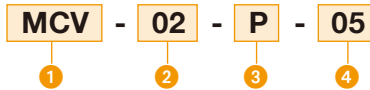


MCV-03

SYMBOLS



ORDER CODES

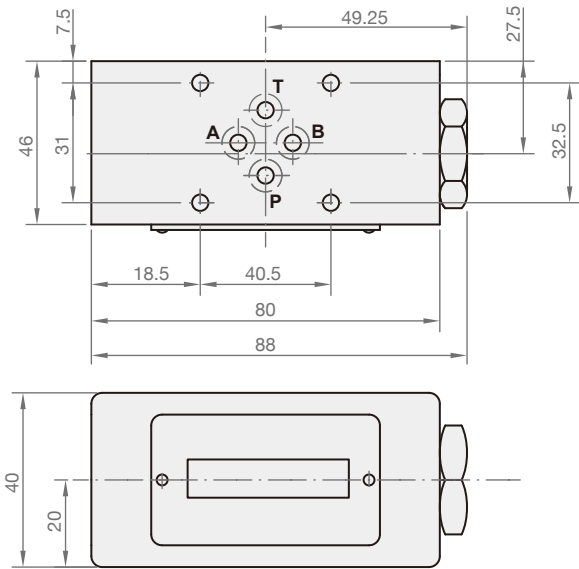


1 ▶	Model Name	MCV	
2 ▶	Thread Connection	02	1/4"
		03	3/8"
3 ▶	Action Form	P	
		T	
		A	
		B	
		W	
4 ▶	Checking Pressure	05	0.35 kgf/cm ²
		50	3.5 kgf/cm ²

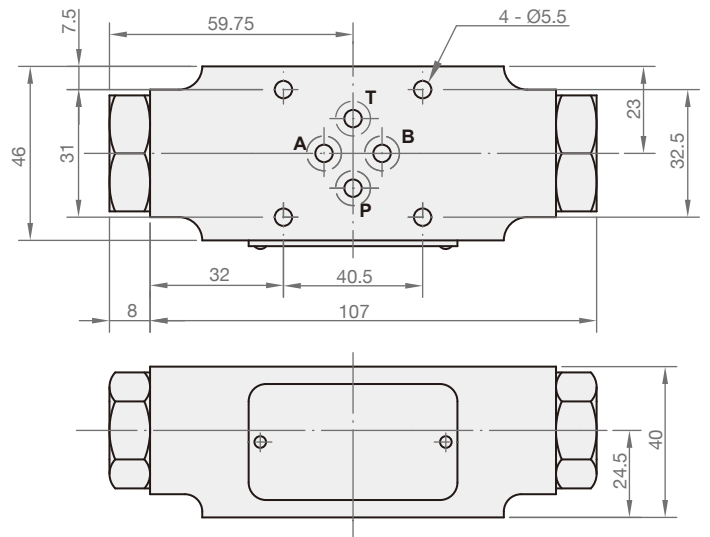
MODEL SPEC.

Model	Max. Pressure (kgf/cm ²)	Checking Pressure (kgf/cm ²)	Max. Flow (l/min)	Weight (kg)
MCV-02	210	05: 0.35 50: 3.5	35	1.1
MCV-03			70	2.5

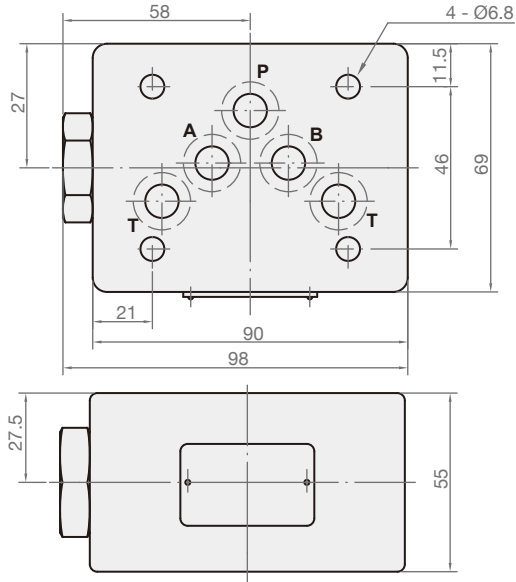
► MCV-02-P, T, A, B



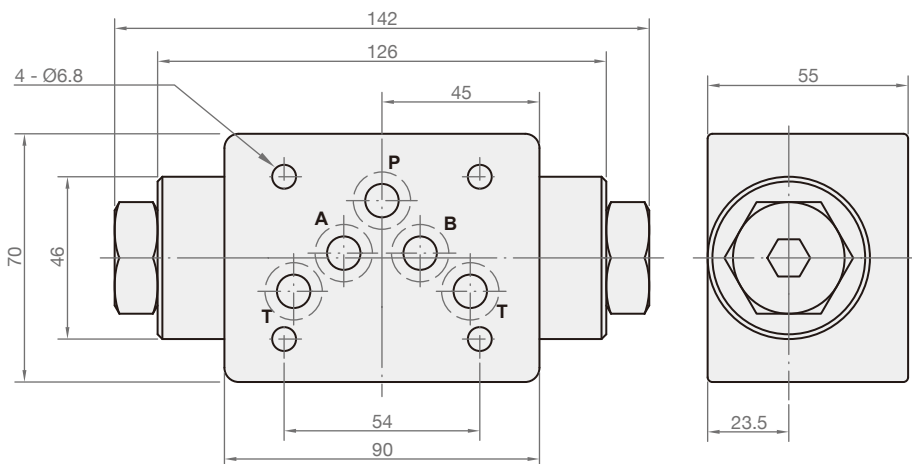
► MCV-02-W



► MCV-03-P, T, A, B



► MCV-03-W



MPCV



MPCV-02



MPCV-03

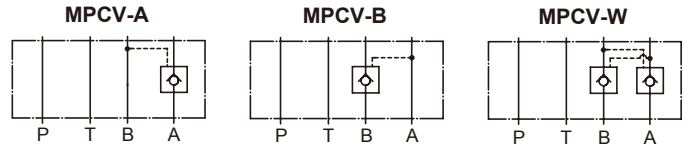


MPCV-04



MPCV-06

SYMBOLS



ORDER CODES

MPCV - 02 - A

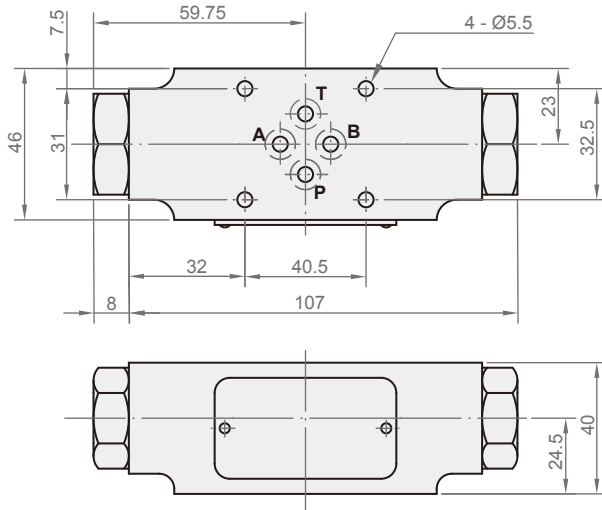
1 2 3

1	Model Name	MPCV	
2	Thread Connection	02	1/4"
		03	3/8"
		04	1/2"
		06	3/4"
3	Action Form	A	
		B	
		W	

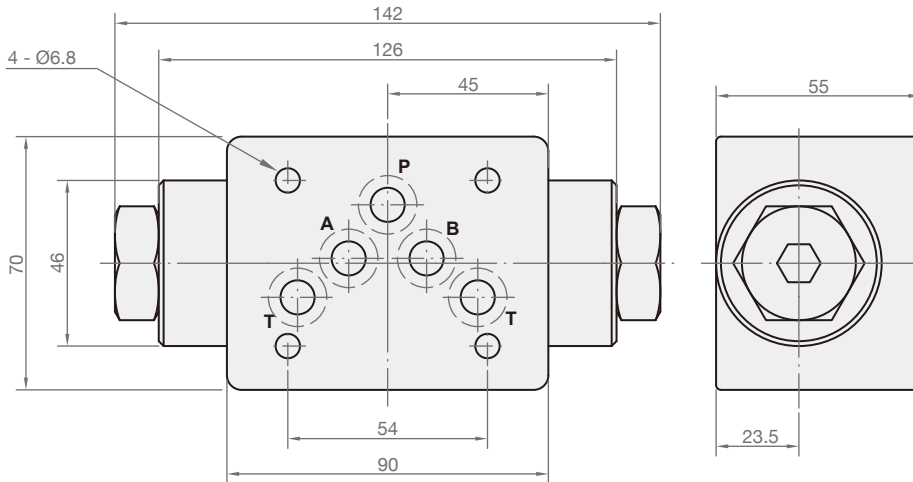
MODEL SPEC.

Model	Max. Pressure (kgf/cm ²)	Max. Flow (l/min)	Weight (kg)
MPCV-02	210	35	1.3
MPCV-03		70	3.0
MPCV-04		120	7.0
MPCV-06		180	12.5

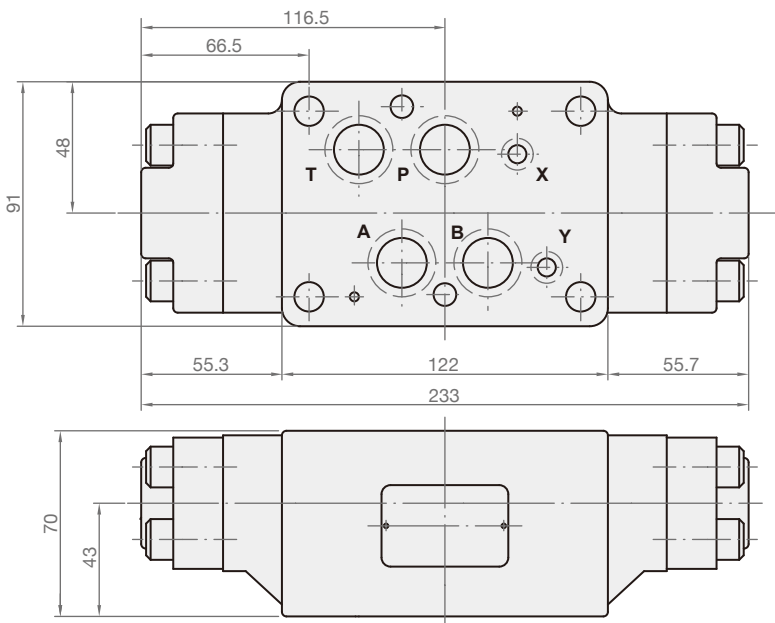
► MPCV-02



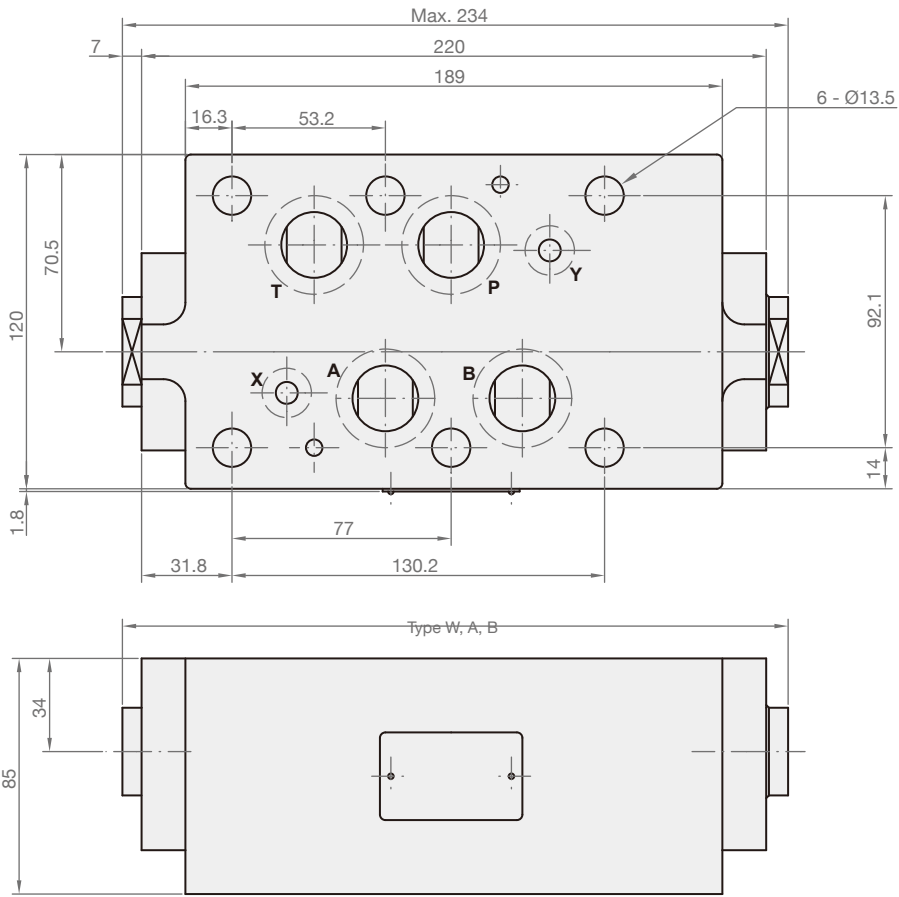
► MPCV-03



► MPCV-04

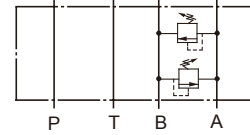


► MPCV-06



MRV-D

SYMBOLS



ORDER CODES

MRV - **02** **D** - **1**

1 2 1 3

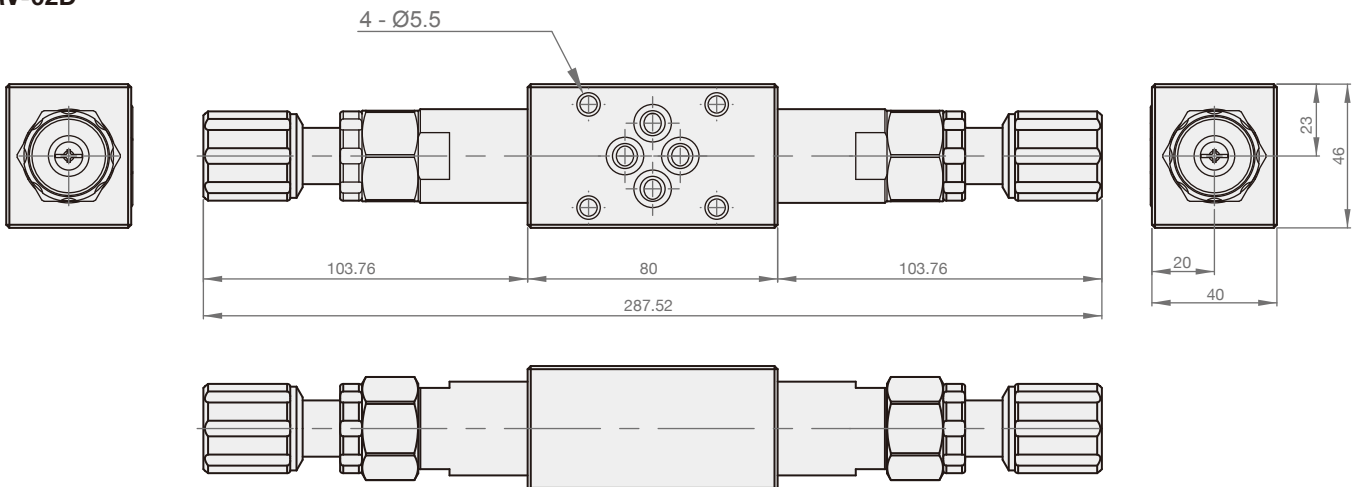
1	▶ Model Name	MRV-D	
2	▶ Thread Connection	02	1/4"
3	▶ Pressure Adj. Range	1	7~70 kgf/cm ²
		2	35~140 kgf/cm ²
		3	70~210 kgf/cm ²

MODEL SPEC.

Model	Max. Pressure (kgf/cm ²)	Pressure Adj. Range (kgf/cm ²)	Max. Flow (l/min)	Weight (kg)
MRV-02D	210	1: 7~70 2: 35~140 3: 70~210	35	1.53

DIMENSION (UNIT : mm)

▶ MRV-02D



Steed Machinery Co., Ltd.

No. 28, Ruiguang St., South Dist.,
Taichung City 40249,
Taiwan
Tel : +886-4-2285-4867
Fax : +886-4-2285-2848
Email : info@steedmachinery.com.tw

more information
www.steedmachinery.com.tw

